



|                       |          |                               |
|-----------------------|----------|-------------------------------|
| <b>Identification</b> | Type     | STG5-M12/KUG5-M12/DN 1,0M-PUR |
|                       | Part-No. | 496910                        |

|                    |   |  |
|--------------------|---|--|
| <b>Description</b> | Male-female M12 straight with PUR cable, shielded 360°<br>self-locking screwed connection<br>c-track compatible, halogen free |  |
|--------------------|---|--|

|                       |            |  |
|-----------------------|------------|--|
| <b>Technical data</b> |            |  |
| Nominal voltage       | AC/DC 24 V |  |
| Nominal voltage range | max. 30 V  |  |
| Rated current         | 4 A        |  |
| Pol number            | 5          |  |
| Cable length (m)      | 1.0 m      |  |
| Cable length          | 1.0 m      |  |
| Coding                | A          |  |
| Shielding             | 360°       |  |

|                                     |                                 |  |
|-------------------------------------|---------------------------------|--|
| <b>General</b>                      |                                 |  |
| Form                                | M12 × 1, male - female straight |  |
| Rated insulation voltage (EN 50178) | 60 V                            |  |
| Test voltage                        | 1.5 kV                          |  |
| Pollution degree                    | 3                               |  |

30.01.2017 – Subject to technical modification

Part-No. 496910

USA: LUTZE INC.

13330 South Ridge Drive • Charlotte, NC 28273, USA  
Tel. +1 (704) 504-0222 • Fax +1 (704) 504-0223  
www.lutze.com • info@lutze.com

United Kingdom: LÜTZE Ltd.

Unit 3, Sandy Hill Park  
Sandy Way, Amington • GB-Tamworth, Staffs B77 4DU  
Tel. +44 (0)1827 31333-0 • Fax +44 (0)1827 31333-2  
www.lutze.com • sales.gb@lutze.co.uk



## Technical data sheet - Actuator sensor interface

|  |   |
|--|---|
| Insulation resistance                    | >10 <sup>9</sup> Ω                                  |
| Contact resistance                       | < 5 mΩ  |
| Class of flammability according to UL 94 | V0  |
| Protection class                         | IP IP65/IP67  |
| Housing material                         | TPU black   |
| Contact material                         | CuSn, gold plated nickel                            |
| Thread material                          | Zinc die-casting, nickel-plated                     |
| Sealing ring                             | NBR (female)  |
| Cable construction                       | 2 × AWG 22/19 + 2 × AWG 24/19 + Drainwire AWG 22/19 |
| Cable jacket                             | PUR, RAL 4001 violet                                |
| Conductor insulation                     | PE  |
| Cable diameter                           | 6.7 mm  |
| Bending radius                           | 15 x cable diameter                                 |
| Storage temperature range                | -40 °C ... 90 °C                                    |
| Temperature range connector              | -25 °C – 90 °C                                      |
| Temperature range cable fixed            | -40 °C – 80 °C                                      |
| Temperature range cable moving           | -20 °C – 75 °C                                      |
| Weight (kg/piece)                        | 0.100   |
| Approvals                                | the cable is UL, CSA certified 80° 300V             |
| PU                                       | 1   |
| C-track chain properties                 | Type A  |

### C-track chain properties

| C-track chain properties           | Type A   | Type B              | Type C             |
|------------------------------------|--|---------------------|--------------------|
| Bending cycles min.                | 5 million  | 4 million           | 2 million          |
| Minimum bending radius             | 10 × D   | 10 × D              | 10 × D             |
| Travel distance                    | 10 m   | 10 m                | 5 m                |
| Acceleration                       | 7 m/s <sup>2</sup>   | 10 m/s <sup>2</sup> | 5 m/s <sup>2</sup> |
| Speed                              | 3 m/s  | 3 m/s               | 3 m/s              |
| Conduction properties (TYPE A+B+C) | PUR halogen free for extreme demands <ul style="list-style-type: none"> <li>• Very good chemical stability</li> <li>• Very resistant to oils and lubricants</li> <li>• Very high abrasion resistance</li> <li>• Halogen free</li> <li>• Silicone free, free of paint wetting impairment substances</li> <li>• Resistant to microbes and hydrolysis</li> <li>• Good UV stability</li> </ul> |                     |                    |

30.01.2017 – Subject to technical modification

Part-No. 496910

USA: LUTZE INC.

13330 South Ridge Drive • Charlotte, NC 28273, USA

Tel. +1 (704) 504-0222 • Fax +1 (704) 504-0223

www.lutze.com • info@lutze.com

United Kingdom: LÜTZE Ltd.

Unit 3, Sandy Hill Park

Sandy Way, Amington • GB-Tamworth, Staffs B77 4DU

Tel. +44 (0)1827 31333-0 • Fax +44 (0)1827 31333-2

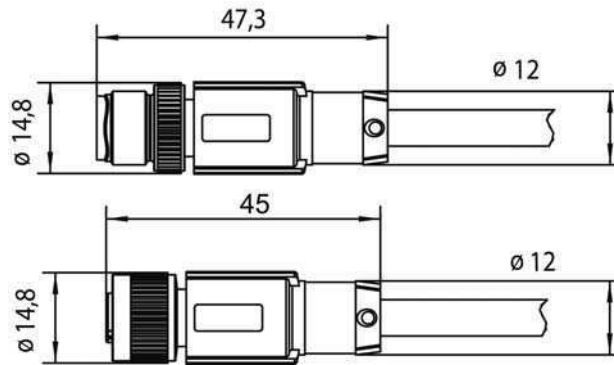
www.lutze.com • sales.gb@lutze.co.uk



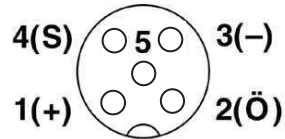
SYSTEMATIC TECHNOLOGY

# Technical data sheet · Actuator sensor interface

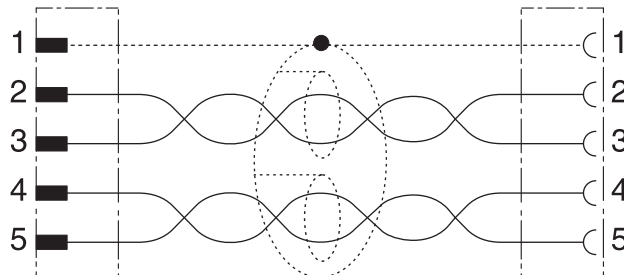
## Dimensions



## PIN assignment



## Circuit diagram



30.01.2017 – Subject to technical modification

Part-No. 496910

USA: LUTZE INC.

13330 South Ridge Drive · Charlotte, NC 28273, USA

Tel. +1 (704) 504-0222 · Fax +1 (704) 504-0223

www.lutze.com · info@lutze.com

United Kingdom: LÜTZE Ltd.

Unit 3, Sandy Hill Park

Sandy Way, Amington · GB-Tamworth, Staffs B77 4DU

Tel. +44 (0)1827 31333-0 · Fax +44 (0)1827 31333-2

www.lutze.com · sales.gb@lutze.co.uk



SYSTEMATIC TECHNOLOGY

**Symbols**



---

**Accessories**

| <b>Accessories</b>      | <b>Article number</b> | <b>Type</b> | <b>PU</b> |
|-------------------------|-----------------------|-------------|-----------|
| Cable markers 4×23mm    | 499988                | LB M8/M12   | 5         |
| Torque setting tool M12 | 490091                | DM-SET M12  | 1         |

30.01.2017 – Subject to technical modification

Part-No. 496910

USA: LUTZE INC.

13330 South Ridge Drive • Charlotte, NC 28273, USA  
Tel. +1 (704) 504-0222 • Fax +1 (704) 504-0223  
www.lutze.com • info@lutze.com

United Kingdom: LÜTZE Ltd.

Unit 3, Sandy Hill Park  
Sandy Way, Amington • GB-Tamworth, Staffs B77 4DU  
Tel. +44 (0)1827 31333-0 • Fax +44 (0)1827 31333-2  
www.lutze.com • sales.gb@lutze.co.uk



SYSTEMATIC TECHNOLOGY