



| | | |
|-----------------------|----------------------------------------------------------------------------------------------------------------------------------------------------------------------------------|-----------------------------------------|
| Identification | Type Part-No. | STG5-M12/KUG5-M12/DN 2,0M-PUR 496920 |
| Description | Male-female M12 straight with PUR cable, shielded 360° self-locking screwed connection c-track compatible, halogen free | |
| Technical data | Nominal voltage AC/DC 24 V Nominal voltage range max. 30 V Rated current 4 A Pol number 5 Cable length (m) 2.0 m Cable length 2.0 m Coding A Shielding 360° | |
| General | Form M12 × 1, male - female straight Rated insulation voltage (EN 50178) 60 V Test voltage 1.5 kV Pollution degree 3 | |

30.01.2017 – Subject to technical modification

Part-No. 496920

USA: LUTZE INC.

13330 South Ridge Drive • Charlotte, NC 28273, USA
Tel. +1 (704) 504-0222 • Fax +1 (704) 504-0223
www.lutze.com • info@lutze.com

United Kingdom: LÜTZE Ltd.

Unit 3, Sandy Hill Park
Sandy Way, Amington • GB-Tamworth, Staffs B77 4DU
Tel. +44 (0)1827 31333-0 • Fax +44 (0)1827 31333-2
www.lutze.com • sales.gb@lutze.co.uk



SYSTEMATIC TECHNOLOGY

Technical data sheet - Actuator sensor interface

| | |
|------------------------------------------|-----------------------------------------------------|
| Insulation resistance | >10 ⁹ Ω |
| Contact resistance | < 5 mΩ |
| Class of flammability according to UL 94 | V0 |
| Protection class | IP IP65/IP67 |
| Housing material | TPU black |
| Contact material | CuSn, gold plated nickel |
| Thread material | Zinc die-casting, nickel-plated |
| Sealing ring | NBR (female) |
| Cable construction | 2 × AWG 22/19 + 2 × AWG 24/19 + Drainwire AWG 22/19 |
| Cable jacket | PUR, RAL 4001 violet |
| Conductor insulation | PE |
| Cable diameter | 6.7 mm |
| Bending radius | 15 x cable diameter |
| Storage temperature range | -40 °C ... 90 °C |
| Temperature range connector | -25 °C – 90 °C |
| Temperature range cable fixed | -40 °C – 80 °C |
| Temperature range cable moving | -20 °C – 75 °C |
| Weight (kg/piece) | 0.150 |
| Approvals | the cable is UL, CSA certified 80° 300V |
| PU | 1 |
| C-track chain properties | Type A |

C-track chain properties

| C-track chain properties | Type A | Type B | Type C |
|------------------------------------|--------------------------------------------------------------------------------------------------------------------------------------------------------------------------------------------------------------------------------------------------------------------------------------------------------------------------------------------------------------------------------------------|---------------------|--------------------|
| Bending cycles min. | 5 million | 4 million | 2 million |
| Minimum bending radius | 10 × D | 10 × D | 10 × D |
| Travel distance | 10 m | 10 m | 5 m |
| Acceleration | 7 m/s ² | 10 m/s ² | 5 m/s ² |
| Speed | 3 m/s | 3 m/s | 3 m/s |
| Conduction properties (TYPE A+B+C) | PUR halogen free for extreme demands <ul style="list-style-type: none"> • Very good chemical stability • Very resistant to oils and lubricants • Very high abrasion resistance • Halogen free • Silicone free, free of paint wetting impairment substances • Resistant to microbes and hydrolysis • Good UV stability | | |

30.01.2017 – Subject to technical modification

Part-No. 496920

USA: LUTZE INC.

13330 South Ridge Drive • Charlotte, NC 28273, USA

Tel. +1 (704) 504-0222 • Fax +1 (704) 504-0223

www.lutze.com • info@lutze.com

United Kingdom: LÜTZE Ltd.

Unit 3, Sandy Hill Park

Sandy Way, Amington • GB-Tamworth, Staffs B77 4DU

Tel. +44 (0)1827 31333-0 • Fax +44 (0)1827 31333-2

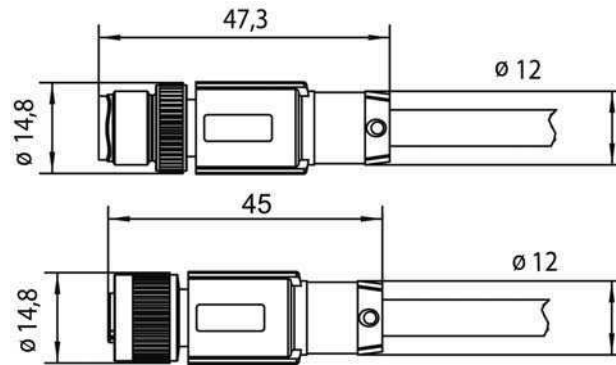
www.lutze.com • sales.gb@lutze.co.uk



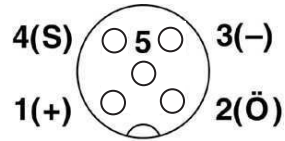
SYSTEMATIC TECHNOLOGY

Technical data sheet · Actuator sensor interface

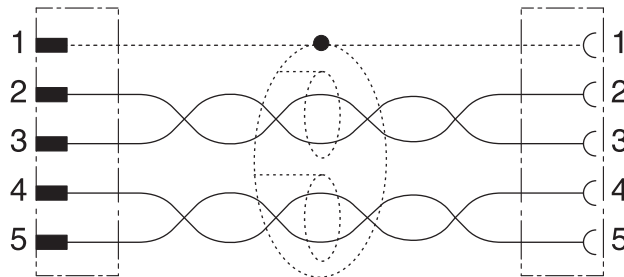
Dimensions



PIN assignment



Circuit diagram



30.01.2017 – Subject to technical modification

Part-No. 496920

USA: LUTZE INC.

13330 South Ridge Drive · Charlotte, NC 28273, USA

Tel. +1 (704) 504-0222 · Fax +1 (704) 504-0223

www.lutze.com · info@lutze.com

United Kingdom: LÜTZE Ltd.

Unit 3, Sandy Hill Park

Sandy Way, Amington · GB-Tamworth, Staffs B77 4DU

Tel. +44 (0)1827 31333-0 · Fax +44 (0)1827 31333-2

www.lutze.com · sales.gb@lutze.co.uk



SYSTEMATIC TECHNOLOGY

Symbols



Accessories

| Accessories | Article number | Type | PU |
|-------------------------|-----------------------|-------------|-----------|
| Cable markers 4×23mm | 499988 | LB M8/M12 | 5 |
| Torque setting tool M12 | 490091 | DM-SET M12 | 1 |

30.01.2017 – Subject to technical modification

Part-No. 496920

USA: LUTZE INC.

13330 South Ridge Drive • Charlotte, NC 28273, USA
Tel. +1 (704) 504-0222 • Fax +1 (704) 504-0223
www.lutze.com • info@lutze.com

United Kingdom: LÜTZE Ltd.

Unit 3, Sandy Hill Park
Sandy Way, Amington • GB-Tamworth, Staffs B77 4DU
Tel. +44 (0)1827 31333-0 • Fax +44 (0)1827 31333-2
www.lutze.com • sales.gb@lutze.co.uk



SYSTEMATIC TECHNOLOGY