

Technical data sheet -

Lütze TOP-T Fittings Pg



Identification	Type	Pg 7
	Part-No.	600980

Use/Area of application

Properties	<ul style="list-style-type: none">• For applications with space limitations due to construction dimensions• Integrated strain relief• Wide sealing and clamping range• Easy to install
------------	---

Technical data

Temperature range	-20 °C to +100 °C +14 to +212 F
Dome nut	Dome nut Polyamide PA6 V-2
Connecting thread	Connecting thread Pg as per DIN 40430
Thread	PG 7

Design

H	34.0 mm
L	8.0 mm
SW 1 = across flats	15 mm
SW 2 = across flats	19 mm
Elbow	Polyamide PA6 V-2

08.12.2012 – Subject to technical modification

Part-No. 600980

USA: LUTZE INC.

13330 South Ridge Drive • Charlotte, NC 28273, USA
Tel. +1 (704) 504-0222 • Fax +1 (704) 504-0223
www.lutze.com • info@lutze.com

United Kingdom: LÜTZE Ltd.

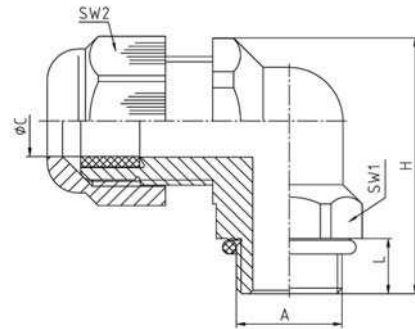
Unit 3, Sandy Hill Park
Sandy Way, Amington • GB-Tamworth, Staffs B77 4DU
Tel. +44 (0)1827 31333-0 • Fax +44 (0)1827 31333-2
www.lutze.com • sales.gb@lutze.co.uk



SYSTEMATIC TECHNOLOGY

Technical data sheet ·

Dimensions



08.12.2012 – Subject to technical modification

Part-No. 600980

USA: LUTZE INC.

13330 South Ridge Drive • Charlotte, NC 28273, USA
Tel. +1 (704) 504-0222 • Fax +1 (704) 504-0223
www.lutze.com • info@lutze.com

United Kingdom: LÜTZE Ltd.

Unit 3, Sandy Hill Park
Sandy Way, Amington • GB-Tamworth, Staffs B77 4DU
Tel. +44 (0)1827 31333-0 • Fax +44 (0)1827 31333-2
www.lutze.com • sales.gb@lutze.co.uk