

## Technical data sheet -

### Lütze TOP-T Fittings Pg



<b>Identification</b>	Type	Pg 13
	Part-No.	600983
<b>Use/Area of application</b>		
Properties	<ul style="list-style-type: none"><li>• For applications with space limitations due to construction dimensions</li><li>• Integrated strain relief</li><li>• Wide sealing and clamping range</li><li>• Easy to install</li></ul>	
<b>Technical data</b>		
Temperature range	-20 °C to +100 °C +14 to +212 F	
Dome nut	Dome nut Polyamide PA6 V-2	
Connecting thread	Connecting thread Pg as per DIN 40430	
<b>Design</b>		
H	43.0 mm	
L	9.0 mm	
SW 1 = across flats	24 mm	
SW 2 = across flats	27 mm	
Elbow	Polyamide PA6 V-2	

09.12.2012 – Subject to technical modification

Part-No. 600983

USA: LUTZE INC.

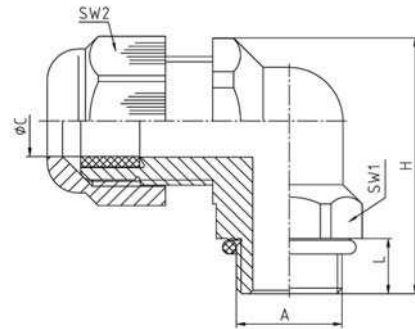
13330 South Ridge Drive • Charlotte, NC 28273, USA  
Tel. +1 (704) 504-0222 • Fax +1 (704) 504-0223  
www.lutze.com • info@lutze.com

United Kingdom: LÜTZE Ltd.

Unit 3, Sandy Hill Park  
Sandy Way, Amington • GB-Tamworth, Staffs B77 4DU  
Tel. +44 (0)1827 31333-0 • Fax +44 (0)1827 31333-2  
www.lutze.com • sales.gb@lutze.co.uk

# Technical data sheet

## Dimensions



09.12.2012 – Subject to technical modification

Part-No. 600983

USA: LUTZE INC.

13330 South Ridge Drive • Charlotte, NC 28273, USA  
Tel. +1 (704) 504-0222 • Fax +1 (704) 504-0223  
www.lutze.com • info@lutze.com

United Kingdom: LÜTZE Ltd.

Unit 3, Sandy Hill Park  
Sandy Way, Amington • GB-Tamworth, Staffs B77 4DU  
Tel. +44 (0)1827 31333-0 • Fax +44 (0)1827 31333-2  
www.lutze.com • sales.gb@lutze.co.uk



SYSTEMATIC TECHNOLOGY