

Technical data sheet · Cablefix Vario

Feed-through for all prefabricated cables and wires with connectors



Cable fittings and accessories

Identification	Type	CABLEFIX VARIO KKLR2 SW
	Part-No.	606053

Use/Application/Characteristics	
Application	<ul style="list-style-type: none"> • Electrotechnology, pneumatics, hydraulics, robotics, general machine and plant construction
Characteristics	<ul style="list-style-type: none"> • Feed through and terminal frames from high-quality solid material • Glass-fibre reinforced polyamide GF50 • High flexibility in the application • Additional mounting to existing installation easily possible • Even pressure effect on the feed through round material yields good strain relief and sealing • Unneeded holes in the module can simply sealed with blank plugs • Compact design i.e. space-saving • 2 module sizes with slot and suspension principle • Very good weathering resistance • Resistant to UV radiation, ozone, oils, fuels, acids, bases, solvents and sea water

Technical data	
Dimensions (w × h × d)	164 × 71 × 30 mm
Master gauge for holes	HAN 24 B socket housing
Number of rubber modules VG=40×43.5	3
Number of rubber modules VK=40×22.9	6

28.01.2017 – Subject to technical modification

Part-No. 606053

USA: LUTZE INC.

13330 South Ridge Drive • Charlotte, NC 28273, USA
 Tel. +1 (704) 504-0222 • Fax +1 (704) 504-0223
 www.lutze.com • info@lutze.com

United Kingdom: LÜTZE Ltd.

Unit 3, Sandy Hill Park
 Sandy Way, Amington • GB-Tamworth, Staffs B77 4DU
 Tel. +44 (0)1827 31333-0 • Fax +44 (0)1827 31333-2
 www.lutze.com • sales.gb@lutze.co.uk



SYSTEMATIC TECHNOLOGY

Technical data sheet - Cablefix Vario

Feed-through for all prefabricated cables and wires with connectors

Temperature range	-40 °C ... +135 °C
Protection class	IP65

Construction

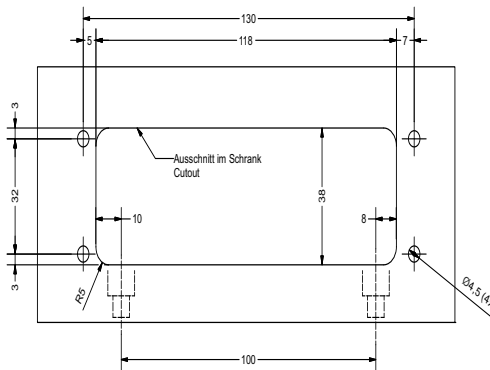
Description	CABLEFIX VARIO KKLR2 SW
Material	PA
Color	black

General

PU	1 Quantity
Drilling pictures	

Bohrbilder Maßstab 1:1/ Drilling Pictures 1:1 Scale

Cablefix Vario
606053, KKLR2



Friedrich Lütze GmbH • Bruckwiesenstr. 17-19 • 71384 Weinstadt • www.lutze.com

L_190-164-232L_00-00_05_16 Copyright by Lütze (Weinstadt), Printed in Germany

28.01.2017 – Subject to technical modification

Part-No. 606053

USA: LUTZE INC.

13330 South Ridge Drive • Charlotte, NC 28273, USA
Tel. +1 (704) 504-0222 • Fax +1 (704) 504-0223
www.lutze.com • info@lutze.com

United Kingdom: LÜTZE Ltd.

Unit 3, Sandy Hill Park
Sandy Way, Amington • GB-Tamworth, Staffs B77 4DU
Tel. +44 (0)1827 31333-0 • Fax +44 (0)1827 31333-2
www.lutze.com • sales.gb@lutze.co.uk

