



Identification	Type	LD-S6-0323 DC 24-230V 1A
	Part-No.	700323

Technical data	
Function type	Suppressor for Switch Gear
Protection device	Diode
Nominal voltage	DC 24–230 V
Shut-off points	≤1 V
Inverse voltage/switching current	1600 V / 1 A
Type of connecting lead	LIY 0.5 mm ² , black
Length of connecting lead (M)	0.15 M

General	
Form	S6
Pottant	2-components
Housing material	PA
Protection class	IP 67
Field installation	attachable instead of the identification plate
Termination	Fork-type cable lug M4
Operation temperature range	-20 °C – 60 °C
Storage temperature range	-40 °C ... 90 °C
Dimensions (w × h × d)	32.5 × 27.0 × 11.5 mm
Weight (kg/piece)	0.010

28.01.2017 – Subject to technical modification

Part-No. 700323

USA: LUTZE INC.

13330 South Ridge Drive • Charlotte, NC 28273, USA
Tel. +1 (704) 504-0222 • Fax +1 (704) 504-0223
www.lutze.com • info@lutze.com

United Kingdom: LÜTZE Ltd.

Unit 3, Sandy Hill Park
Sandy Way, Amington • GB-Tamworth, Staffs B77 4DU
Tel. +44 (0)1827 31333-0 • Fax +44 (0)1827 31333-2
www.lutze.com • sales.gb@lutze.co.uk



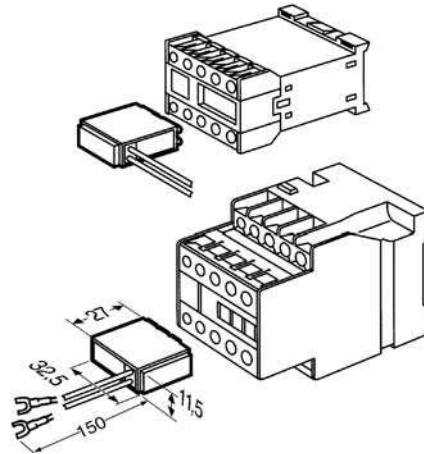
SYSTEMATIC TECHNOLOGY

Technical data sheet · Suppression Technology

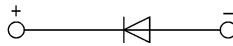
Approvals

cURus, VDE

Dimensions



PIN assignment



Symbols



28.01.2017 – Subject to technical modification

Part-No. 700323

USA: LUTZE INC.

13330 South Ridge Drive • Charlotte, NC 28273, USA

Tel. +1 (704) 504-0222 • Fax +1 (704) 504-0223

www.lutze.com • info@lutze.com

United Kingdom: LÜTZE Ltd.

Unit 3, Sandy Hill Park

Sandy Way, Amington • GB-Tamworth, Staffs B77 4DU

Tel. +44 (0)1827 31333-0 • Fax +44 (0)1827 31333-2

www.lutze.com • sales.gb@lutze.co.uk