



Identification	Type	LV-S6-0324 AC/DC 24V 200VA
	Part-No.	700324

Technical data

Function type	Suppressor for Switch Gear
Protection device	varistor
Nominal voltage	AC/DC 24 V
Shut-off points	≤52 V
Rated frequency	50–60 Hz
Holding capacitance	200 VA
Type of connecting lead	LIY 0.5 mm ² , black
Length of connecting lead (M)	0.15 M

General

Form	S6
Pottant	2-components
Housing material	PA
Protection class	IP 67
Field installation	attachable instead of the identification plate
Termination	Fork-type cable lug M4
Operation temperature range	-20 °C – 60 °C
Storage temperature range	-40 °C ... 90 °C
Dimensions (w × h × d)	32.5 × 27.0 × 11.5 mm

28.01.2017 – Subject to technical modification

Part-No. 700324

USA: LUTZE INC.

13330 South Ridge Drive • Charlotte, NC 28273, USA
Tel. +1 (704) 504-0222 • Fax +1 (704) 504-0223
www.lutze.com • info@lutze.com

United Kingdom: LÜTZE Ltd.

Unit 3, Sandy Hill Park
Sandy Way, Amington • GB-Tamworth, Staffs B77 4DU
Tel. +44 (0)1827 31333-0 • Fax +44 (0)1827 31333-2
www.lutze.com • sales.gb@lutze.co.uk

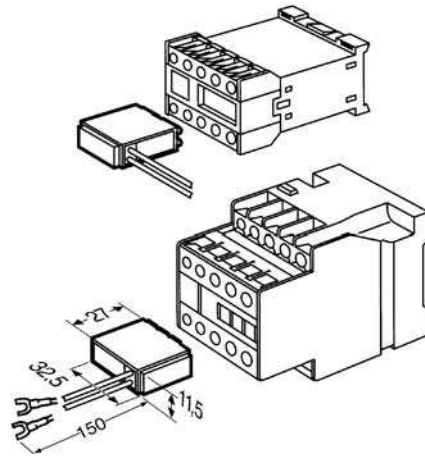


SYSTEMATIC TECHNOLOGY

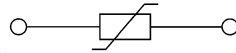
Technical data sheet • Suppression Technology

Weight (kg/piece) 0.010
Approvals cURus, VDE

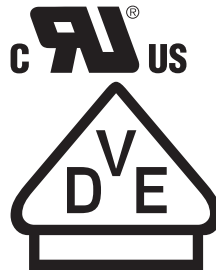
Dimensions



PIN assignment



Symbols



28.01.2017 – Subject to technical modification

Part-No. 700324

USA: LUTZE INC.

13330 South Ridge Drive • Charlotte, NC 28273, USA
Tel. +1 (704) 504-0222 • Fax +1 (704) 504-0223
www.lutze.com • info@lutze.com

United Kingdom: LÜTZE Ltd.

Unit 3, Sandy Hill Park
Sandy Way, Amington • GB-Tamworth, Staffs B77 4DU
Tel. +44 (0)1827 31333-0 • Fax +44 (0)1827 31333-2
www.lutze.com • sales.gb@lutze.co.uk