



<b>Identification</b>	Type	Halteklammer für Bauform S1
	Part-No.	700409
<b>General</b>		
Housing material	Makrolon	
Color	transparent	
Class of flammability according to UL 94	V2	
Surface	smooth	
Operation temperature range	-40 °C – 80 °C	
Storage temperature range	-20 °C – 60 °C	
Dimensions (w × h × d)	38.0 × 23.5 × 7.5 mm	
Weight (kg/piece)	0.002	
Termination	on enclosure S1, S2	

02.04.2016 – Subject to technical modification

Part-No. 700409

USA: LUTZE INC.

13330 South Ridge Drive • Charlotte, NC 28273, USA  
Tel. +1 (704) 504-0222 • Fax +1 (704) 504-0223  
www.lutze.com • info@lutze.com

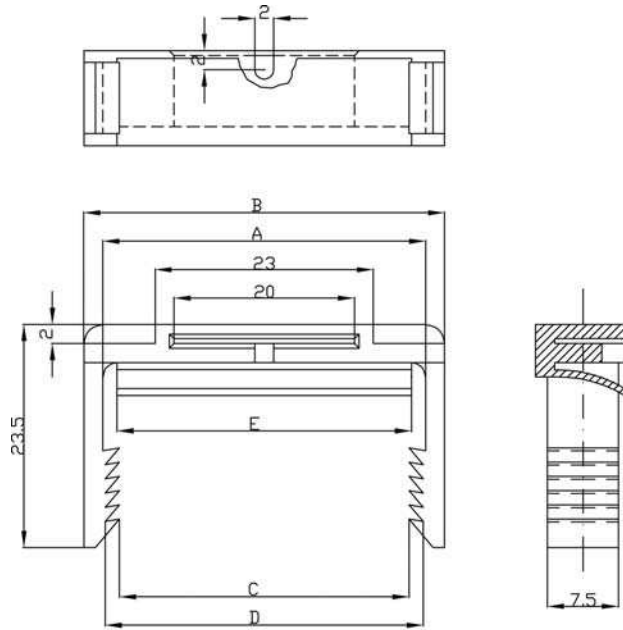
United Kingdom: LUTZE Ltd.

Unit 3, Sandy Hill Park  
Sandy Way, Amington • GB-Tamworth, Staffs B77 4DU  
Tel. +44 (0)1827 31333-0 • Fax +44 (0)1827 31333-2  
www.lutze.com • sales.gb@lutze.co.uk



SYSTEMATIC TECHNOLOGY

**Dimensions**



	700409	700419
A	34	41.5
B	38	45.5
C	30.5	38
D	33.5	41
E	31	38.5

02.04.2016 – Subject to technical modification

Part-No. 700409

USA: LUTZE INC.

13330 South Ridge Drive • Charlotte, NC 28273, USA

Tel. +1 (704) 504-0222 • Fax +1 (704) 504-0223

www.lutze.com • info@lutze.com

United Kingdom: LUTZE Ltd.

Unit 3, Sandy Hill Park

Sandy Way, Amington • GB-Tamworth, Staffs B77 4DU

Tel. +44 (0)1827 31333-0 • Fax +44 (0)1827 31333-2

www.lutze.com • sales.gb@lutze.co.uk



SYSTEMATIC TECHNOLOGY