



Identification	Type	LRC-S2-0413 AC 230V 20VA
	Part-No.	700413
Technical data		
Function type	Suppressor for Switch Gear	
Protection device	RC module	
Nominal voltage	AC 115–230 V	
Nominal voltage U_N	AC 230 V	
Rated frequency	50–60 Hz	
Holding capacitance	20 VA	
Type of connecting lead	LIY 0.5 mm ²	
Length of connecting lead (M)	0.15 M	
Connecting lead	length 150 mm, cross section 0.5 mm ²	
General		
Form	S2	
Pottant	2-components	
Housing material	PPO	
Protection class	IP 67	
Field installation	Insert in the rail profile or attach with retaining clips to the connection wires. (Accessories)	
Termination	Fork-type cable lug M4	
Operation temperature range	0 °C – 60 °C	
Storage temperature range	-20 °C ... 80 °C	

28.01.2017 – Subject to technical modification

Part-No. 700413

USA: LUTZE INC.

13330 South Ridge Drive • Charlotte, NC 28273, USA
 Tel. +1 (704) 504-0222 • Fax +1 (704) 504-0223
 www.lutze.com • info@lutze.com

United Kingdom: LÜTZE Ltd.

Unit 3, Sandy Hill Park
 Sandy Way, Amington • GB-Tamworth, Staffs B77 4DU
 Tel. +44 (0)1827 31333-0 • Fax +44 (0)1827 31333-2
 www.lutze.com • sales.gb@lutze.co.uk

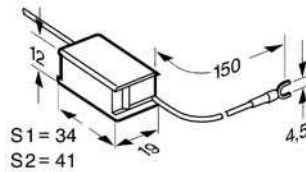


SYSTEMATIC TECHNOLOGY

Technical data sheet · Suppression Technology

Dimensions (w × h × d)	41.0 × 19.0 × 12.0 mm
Weight (kg/piece)	0.014
Approvals	cURus

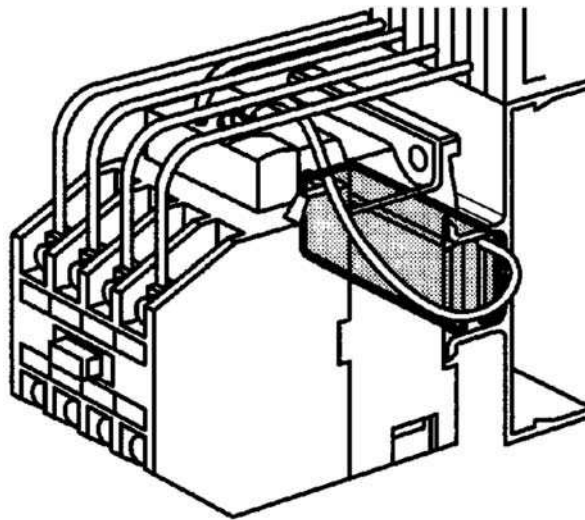
Dimensions



PIN assignment



Mounting diagram



Symbols



Accessories

Accessories	Color	Article number	Description
Retaining clip for type S1	700409	For the mounting to the connection wires	100
Retaining clip for type S2	700419	For the mounting to the connection wires	100

28.01.2017 – Subject to technical modification

Part-No. 700413

USA: LUTZE INC.

13330 South Ridge Drive • Charlotte, NC 28273, USA
Tel. +1 (704) 504-0222 • Fax +1 (704) 504-0223
www.lutze.com • info@lutze.com

United Kingdom: LÜTZE Ltd.

Unit 3, Sandy Hill Park
Sandy Way, Amington • GB-Tamworth, Staffs B77 4DU
Tel. +44 (0)1827 31333-0 • Fax +44 (0)1827 31333-2
www.lutze.com • sales.gb@lutze.co.uk