



Identification	Type	Halteklammer für Bauform S2
	Part-No.	700419

General	
Housing material	Makrolon
Color	transparent
Class of flammability according to UL 94	V2
Surface	smooth
Operation temperature range	-40 °C – 80 °C
Storage temperature range	-20 °C – 60 °C
Dimensions (w × h × d)	45.5 × 23.5 × 7.5 mm
Weight (kg/piece)	0.002
Termination	on enclosure S1, S2

02.04.2016 – Subject to technical modification

Part-No. 700419

USA: LUTZE INC.

13330 South Ridge Drive • Charlotte, NC 28273, USA
Tel. +1 (704) 504-0222 • Fax +1 (704) 504-0223
www.lutze.com • info@lutze.com

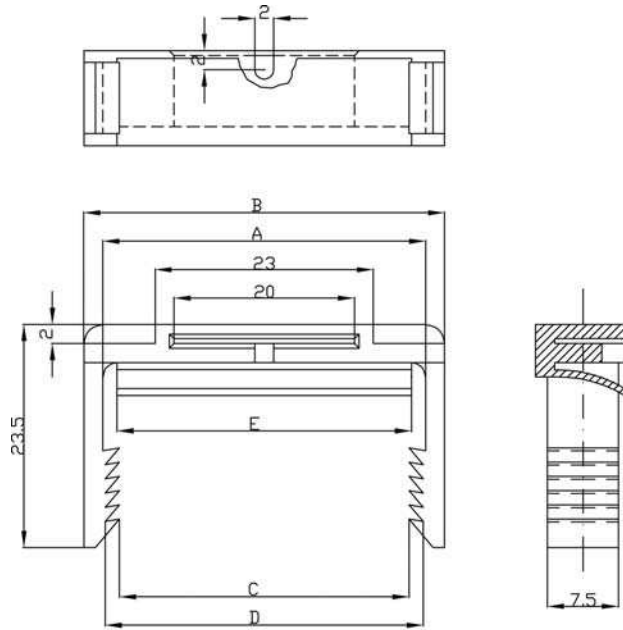
United Kingdom: LUTZE Ltd.

Unit 3, Sandy Hill Park
Sandy Way, Amington • GB-Tamworth, Staffs B77 4DU
Tel. +44 (0)1827 31333-0 • Fax +44 (0)1827 31333-2
www.lutze.com • sales.gb@lutze.co.uk



SYSTEMATIC TECHNOLOGY

Dimensions



	700409	700419
A	34	41.5
B	38	45.5
C	30.5	38
D	33.5	41
E	31	38.5

02.04.2016 – Subject to technical modification

Part-No. 700419

USA: LUTZE INC.

13330 South Ridge Drive • Charlotte, NC 28273, USA
 Tel. +1 (704) 504-0222 • Fax +1 (704) 504-0223
 www.lutze.com • info@lutze.com

United Kingdom: LUTZE Ltd.

Unit 3, Sandy Hill Park
 Sandy Way, Amington • GB-Tamworth, Staffs B77 4DU
 Tel. +44 (0)1827 31333-0 • Fax +44 (0)1827 31333-2
 www.lutze.com • sales.gb@lutze.co.uk



SYSTEMATIC TECHNOLOGY