



<b>Identification</b>	Type	LV-V1-0435 AC/DC 230V 200VA
	Part-No.	700435
<b>Technical data</b>		
Function type	Suppressor for Switch Gear	
Protection device	varistor	
Nominal voltage	AC/DC 230 V	
Shut-off points	≤475 V	
Rated frequency	50–60 Hz	
Holding capacitance	200 VA	
Type of connecting lead	LIY 0.5 mm <sup>2</sup>	
Length of connecting lead (M)	0.2 M	
<b>General</b>		
Form	V1	
Pottant	2-components	
Housing material	PPO	
Protection class	IP 67	
Field installation	With mounting hole M4, attachable to TS 35 (EN 50022) with 1 snap-on sockets	
Termination	Fork-type cable lug M4	
Operation temperature range	-20 °C – 60 °C	
Storage temperature range	-40 °C ... 90 °C	
Dimensions (w × h × d)	12.5 × 25.0 × 48.0 mm	

28.01.2017 – Subject to technical modification

Part-No. 700435

USA: LUTZE INC.

13330 South Ridge Drive • Charlotte, NC 28273, USA  
Tel. +1 (704) 504-0222 • Fax +1 (704) 504-0223  
www.lutze.com • info@lutze.com

United Kingdom: LÜTZE Ltd.

Unit 3, Sandy Hill Park  
Sandy Way, Amington • GB-Tamworth, Staffs B77 4DU  
Tel. +44 (0)1827 31333-0 • Fax +44 (0)1827 31333-2  
www.lutze.com • sales.gb@lutze.co.uk

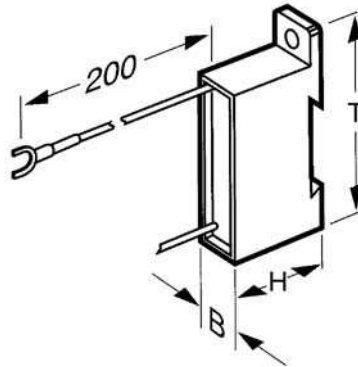


SYSTEMATIC TECHNOLOGY

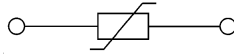
# Technical data sheet · Suppression Technology

Weight (kg/piece) 0.020  
Approvals cURus

## Dimensions



## PIN assignment



## Symbols



## Accessories

Accessories	Color	Article number	Description
Snap-on socket type 2	700499	for hat profile TS35 (EN 50022)	10

28.01.2017 – Subject to technical modification

Part-No. 700435

USA: LUTZE INC.

13330 South Ridge Drive • Charlotte, NC 28273, USA  
Tel. +1 (704) 504-0222 • Fax +1 (704) 504-0223  
www.lutze.com • info@lutze.com

United Kingdom: LÜTZE Ltd.

Unit 3, Sandy Hill Park  
Sandy Way, Amington • GB-Tamworth, Staffs B77 4DU  
Tel. +44 (0)1827 31333-0 • Fax +44 (0)1827 31333-2  
www.lutze.com • sales.gb@lutze.co.uk