



<b>Identification</b>	Type	LD-S1-0446 DC 24-230V 3A
	Part-No.	700446
<b>Technical data</b>		
Function type	Suppressor for Switch Gear	
Protection device	Diode	
Nominal voltage	DC 24–230 V	
Shut-off points	≤1 V	
Inverse voltage/switching current	1300 V / 3 A	
Type of connecting lead	LIY 0.5 mm <sup>2</sup>	
Length of connecting lead (M)	0.15 M	
Connecting lead	length 150 mm, cross section 0.5 mm <sup>2</sup>	
<b>General</b>		
Form	S1	
Pottant	2-components	
Housing material	PPO	
Protection class	IP 67	
Field installation	Insert in the rail profile or attach with retaining clips to the connection wires. (Accessories)	
Termination	Fork-type cable lug M4	
Operation temperature range	0 °C – 60 °C	
Storage temperature range	-20 °C ... 80 °C	
Dimensions (w × h × d)	34.0 × 19.0 × 12.0 mm	

29.01.2017 – Subject to technical modification

Part-No. 700446

USA: LUTZE INC.

13330 South Ridge Drive • Charlotte, NC 28273, USA  
 Tel. +1 (704) 504-0222 • Fax +1 (704) 504-0223  
 www.lutze.com • info@lutze.com

United Kingdom: LÜTZE Ltd.

Unit 3, Sandy Hill Park  
 Sandy Way, Amington • GB-Tamworth, Staffs B77 4DU  
 Tel. +44 (0)1827 31333-0 • Fax +44 (0)1827 31333-2  
 www.lutze.com • sales.gb@lutze.co.uk

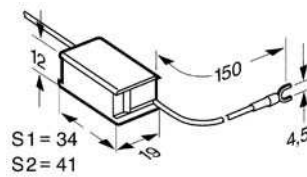


SYSTEMATIC TECHNOLOGY

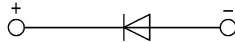
## Technical data sheet • Suppression Technology

Weight (kg/piece) 0.010  
Approvals cURus

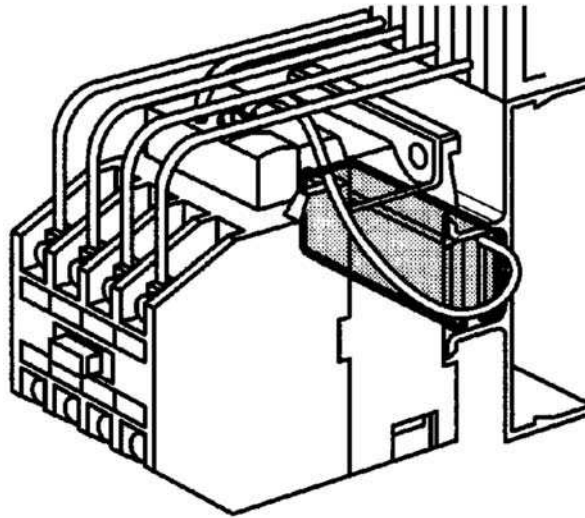
### Dimensions



### PIN assignment



### Mounting diagram



### Symbols



### Accessories

Accessories	Color	Article number	Description
Retaining clip for type S1	700409	For the mounting to the connection wires	100
Retaining clip for type S2	700419	For the mounting to the connection wires	100

29.01.2017 – Subject to technical modification

Part-No. 700446

USA: LUTZE INC.

13330 South Ridge Drive • Charlotte, NC 28273, USA  
Tel. +1 (704) 504-0222 • Fax +1 (704) 504-0223  
www.lutze.com • info@lutze.com

United Kingdom: LÜTZE Ltd.

Unit 3, Sandy Hill Park  
Sandy Way, Amington • GB-Tamworth, Staffs B77 4DU  
Tel. +44 (0)1827 31333-0 • Fax +44 (0)1827 31333-2  
www.lutze.com • sales.gb@lutze.co.uk



SYSTEMATIC TECHNOLOGY