



Identification	Type	LRC-VM1-0463 AC 230V 30VA
	Part-No.	700463

Technical data

Function type	Suppressor for Switch Gear
Protection device	RC module
Nominal voltage	AC 115–230 V
Rated frequency	50–60 Hz
Holding capacitance	30 VA
Type of connecting lead	LIY 0.5 mm ²
Length of connecting lead (M)	0.2 M

General

Form	VM1
Pottant	2-components
Housing material	PPO
Protection class	IP 67
Field installation	With mounting hole M4, attachable to TS 35 (EN 50022) with 2 snap-on sockets
Termination	Fork-type cable lug M4
Operation temperature range	-20 °C – 60 °C
Storage temperature range	-40 °C ... 90 °C
Dimensions (w × h × d)	15.0 × 41.0 × 48.0 mm
Weight (kg/piece)	0.033

29.01.2017 – Subject to technical modification

Part-No. 700463

USA: LUTZE INC.

13330 South Ridge Drive • Charlotte, NC 28273, USA
Tel. +1 (704) 504-0222 • Fax +1 (704) 504-0223
www.lutze.com • info@lutze.com

United Kingdom: LÜTZE Ltd.

Unit 3, Sandy Hill Park
Sandy Way, Amington • GB-Tamworth, Staffs B77 4DU
Tel. +44 (0)1827 31333-0 • Fax +44 (0)1827 31333-2
www.lutze.com • sales.gb@lutze.co.uk



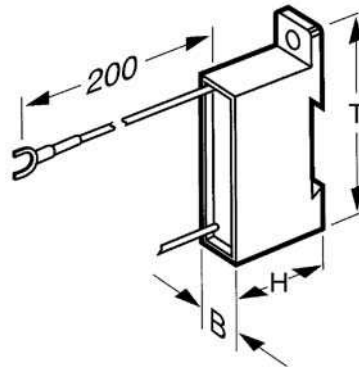
SYSTEMATIC TECHNOLOGY

Technical data sheet · Suppression Technology

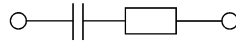
Approvals

cURus

Dimensions



PIN assignment



Symbols



Accessories

Accessories	Color	Article number	Description
Snap-on socket, hat profile TS35	700499	for hat profile TS35 (EN 50022)	10

29.01.2017 – Subject to technical modification

Part-No. 700463

USA: LUTZE INC.

13330 South Ridge Drive • Charlotte, NC 28273, USA
Tel. +1 (704) 504-0222 • Fax +1 (704) 504-0223
www.lutze.com • info@lutze.com

United Kingdom: LÜTZE Ltd.

Unit 3, Sandy Hill Park
Sandy Way, Amington • GB-Tamworth, Staffs B77 4DU
Tel. +44 (0)1827 31333-0 • Fax +44 (0)1827 31333-2
www.lutze.com • sales.gb@lutze.co.uk