



Identification	Type	LEV-S2-0527 AC/DC 24-230V
	Part-No.	700527
Technical data		
Function type	Switch-on delay	
Nominal voltage	AC/DC 24–230 V	
Rated frequency	50–60 Hz	
Rated current	800.0 mA	
Inrush current	10 A (10 ms)	
Voltage trim range	0.5 s–20 s over potentiometer	
Repeat accuracy	<15 %	
Type of connecting lead	PVC 0.5 mm ²	
Length of connecting lead (M)	0.2 M	
General		
Form	S2	
Pottant	2-components	
Housing material	PPO	
Protection class	IP 20	
Field installation	insertable in top hat rail or with retaining clips (accessory)	
Termination	Fork-type cable lug M4	
Operation temperature range	-20 °C – 60 °C	
Storage temperature range	-40 °C ... 90 °C	

29.01.2017 – Subject to technical modification

Part-No. 700527

USA: LUTZE INC.

13330 South Ridge Drive • Charlotte, NC 28273, USA
 Tel. +1 (704) 504-0222 • Fax +1 (704) 504-0223
 www.lutze.com • info@lutze.com

United Kingdom: LÜTZE Ltd.

Unit 3, Sandy Hill Park
 Sandy Way, Amington • GB-Tamworth, Staffs B77 4DU
 Tel. +44 (0)1827 31333-0 • Fax +44 (0)1827 31333-2
 www.lutze.com • sales.gb@lutze.co.uk

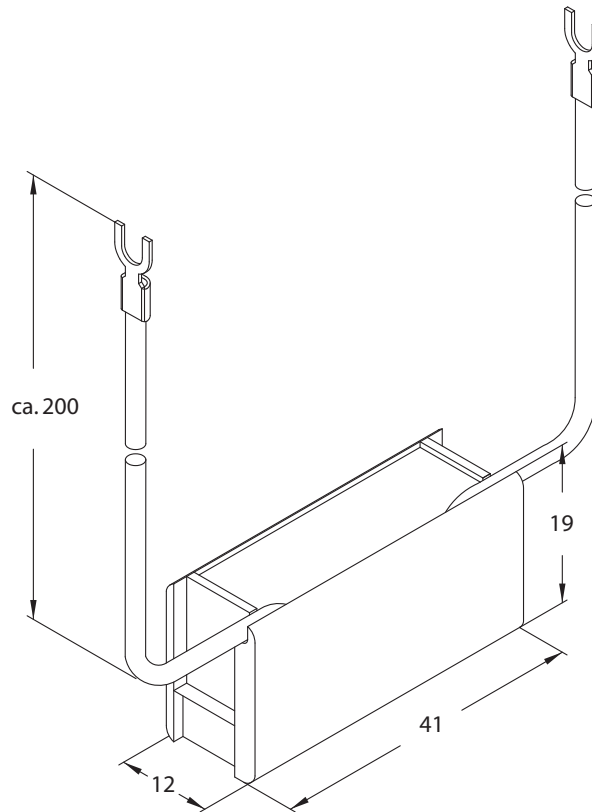


SYSTEMATIC TECHNOLOGY

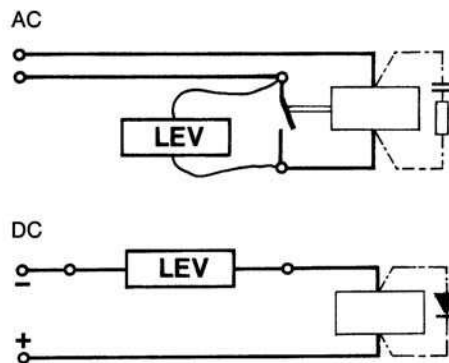
Technical data sheet · Suppression Technology

Dimensions (w × h × d) 41.0 × 19.0 × 12.0 mm
Weight (kg/piece) 0.016

Dimensions



PIN assignment



29.01.2017 – Subject to technical modification

Part-No. 700527

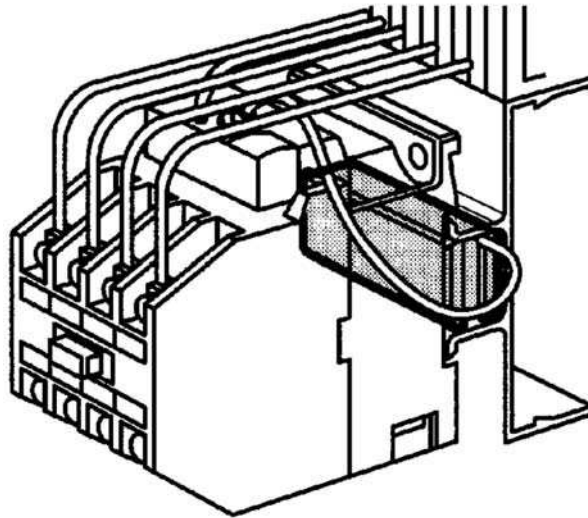
USA: LUTZE INC.

13330 South Ridge Drive · Charlotte, NC 28273, USA
Tel. +1 (704) 504-0222 · Fax +1 (704) 504-0223
www.lutze.com · info@lutze.com

United Kingdom: LÜTZE Ltd.

Unit 3, Sandy Hill Park
Sandy Way, Amington · GB-Tamworth, Staffs B77 4DU
Tel. +44 (0)1827 31333-0 · Fax +44 (0)1827 31333-2
www.lutze.com · sales.gb@lutze.co.uk

Mounting diagram



Accessories

Accessories	Color	Article number	Description
Snap-on socket for hat profile TS35	700499	Socket for attaching of the suppressor module to hat profile TS35 (EN 50022) or G-rails	10
Retaining clip for type S2	700419	For the mounting of the suppressor module to the connection wires	10

Accessories

Accessories	Article number	Type	PU
Snap-on socket for hat profile TS35	700499	Socket for attaching of the suppressor module to hat profile TS35 (EN 50022) or G-rails	10
Retaining clip for type S2	700419	For the mounting of the suppressor module to the connection wires	10

29.01.2017 – Subject to technical modification

Part-No. 700527

USA: LUTZE INC.

13330 South Ridge Drive • Charlotte, NC 28273, USA
 Tel. +1 (704) 504-0222 • Fax +1 (704) 504-0223
 www.lutze.com • info@lutze.com

United Kingdom: LÜTZE Ltd.

Unit 3, Sandy Hill Park
 Sandy Way, Amington • GB-Tamworth, Staffs B77 4DU
 Tel. +44 (0)1827 31333-0 • Fax +44 (0)1827 31333-2
 www.lutze.com • sales.gb@lutze.co.uk



SYSTEMATIC TECHNOLOGY