



S13

Identification	Type	LRC-S13-0958 AC/DC 230V
	Part-No.	700958
Technical data		
Function type	Suppressor for Switch Gear	
Protection device	RC module, S13	
Nominal voltage	AC/DC 230 V	
Shut-off points	≤475 V	
Rated frequency	50–60 Hz	
Holding capacitance	30 VA	
General		
Form	S13	
Housing material	PA	
Protection class	IP 20	
Field installation	plug-in	
Termination	Plug contact	
Operation temperature range	-25 °C – 60 °C	
Storage temperature range	-40 °C ... 90 °C	
Dimensions (w × h × d)	36.0 × 26.5 × 27.0 mm	
Weight (kg/piece)	0.027	
Approvals	cURus	

29.01.2017 – Subject to technical modification

Part-No. 700958

USA: LUTZE INC.

13330 South Ridge Drive • Charlotte, NC 28273, USA
 Tel. +1 (704) 504-0222 • Fax +1 (704) 504-0223
 www.lutze.com • info@lutze.com

United Kingdom: LÜTZE Ltd.

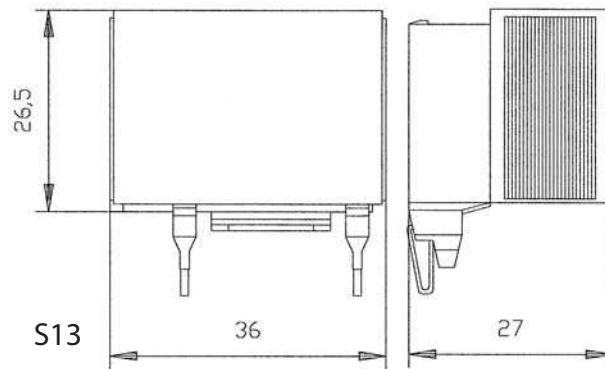
Unit 3, Sandy Hill Park
 Sandy Way, Amington • GB-Tamworth, Staffs B77 4DU
 Tel. +44 (0)1827 31333-0 • Fax +44 (0)1827 31333-2
 www.lutze.com • sales.gb@lutze.co.uk



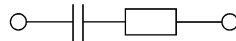
SYSTEMATIC TECHNOLOGY

Technical data sheet • Suppression Technology

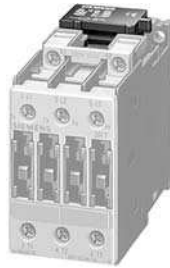
Dimensions



PIN assignment



Mounting diagram



Symbols



29.01.2017 – Subject to technical modification

Part-No. 700958

USA: LUTZE INC.

13330 South Ridge Drive • Charlotte, NC 28273, USA

Tel. +1 (704) 504-0222 • Fax +1 (704) 504-0223

www.lutze.com • info@lutze.com

United Kingdom: LÜTZE Ltd.

Unit 3, Sandy Hill Park

Sandy Way, Amington • GB-Tamworth, Staffs B77 4DU

Tel. +44 (0)1827 31333-0 • Fax +44 (0)1827 31333-2

www.lutze.com • sales.gb@lutze.co.uk