



| | | |
|-----------------------|----------|--------------------------|
| Identification | Type | LRC-V2-1583 AC 400V 60VA |
| | Part-No. | 701583 |

Technical data

| | |
|-------------------------------|----------------------------|
| Function type | Suppressor for Switch Gear |
| Protection device | RC module |
| Nominal voltage | AC 230–400 V |
| Rated frequency | 50–60 Hz |
| Holding capacitance | 60 VA |
| Type of connecting lead | LIY 0.5 mm ² |
| Length of connecting lead (M) | 0.2 M |

General

| | |
|-----------------------------|--|
| Form | V2 |
| Pottant | 2-components |
| Housing material | PPO |
| Protection class | IP 67 |
| Field installation | With mounting hole M4, attachable to TS 35 (EN 50022) with 2 snap-on sockets |
| Termination | Fork-type cable lug M4 |
| Operation temperature range | -20 °C – 60 °C |
| Storage temperature range | -40 °C ... 90 °C |
| Dimensions (w × h × d) | 15.0 × 30.0 × 58.0 mm |
| Weight (kg/piece) | 0.031 |

29.01.2017 – Subject to technical modification

Part-No. 701583

USA: LUTZE INC.

13330 South Ridge Drive • Charlotte, NC 28273, USA
Tel. +1 (704) 504-0222 • Fax +1 (704) 504-0223
www.lutze.com • info@lutze.com

United Kingdom: LÜTZE Ltd.

Unit 3, Sandy Hill Park
Sandy Way, Amington • GB-Tamworth, Staffs B77 4DU
Tel. +44 (0)1827 31333-0 • Fax +44 (0)1827 31333-2
www.lutze.com • sales.gb@lutze.co.uk



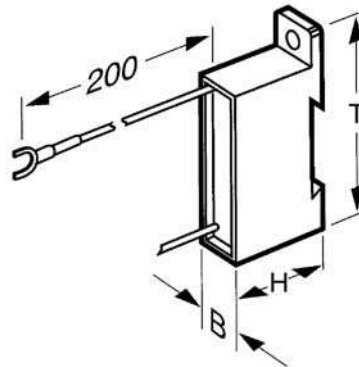
SYSTEMATIC TECHNOLOGY

Technical data sheet · Suppression Technology

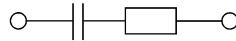
Approvals

cURus

Dimensions



PIN assignment



Symbols



Accessories

| Accessories | Color | Article number | Description |
|----------------------------------|--------|---------------------------------|-------------|
| Snap-on socket, hat profile TS35 | 700499 | for hat profile TS35 (EN 50022) | 10 |

29.01.2017 – Subject to technical modification

Part-No. 701583

USA: LUTZE INC.

13330 South Ridge Drive • Charlotte, NC 28273, USA
Tel. +1 (704) 504-0222 • Fax +1 (704) 504-0223
www.lutze.com • info@lutze.com

United Kingdom: LÜTZE Ltd.

Unit 3, Sandy Hill Park
Sandy Way, Amington • GB-Tamworth, Staffs B77 4DU
Tel. +44 (0)1827 31333-0 • Fax +44 (0)1827 31333-2
www.lutze.com • sales.gb@lutze.co.uk