

Identification	Type	LV-V5TI-5341 0° AC/DC 24V
	Part-No.	705341

Technical data

Function type	Plug adaptor V5T, V5TI
Protection device	Varistor + LED
Nominal voltage	0° AC/DC 24 V
Nominal voltage	AC/DC 24 V
Current Consumption per LED	4 mA
Shut-off points	≤100 V
Rated frequency	50–60 Hz
Holding capacitance	200 VA

General

Form	DesignBI (V5TI)
Status indication LED	LED green
Housing material	PA black
Protection class	IP 65 assembled
Field installation	pluggable on solenoid coil, plug seal not applicable
Operation temperature range	-20 °C – 60 °C
Storage temperature range	-25 °C ... 80 °C
Dimensions (w × h × d)	19.5 × 17.0 × 62.0 mm
Weight (kg/piece)	0.016

29.01.2017 – Subject to technical modification

Part-No. 705341

USA: LUTZE INC.

13330 South Ridge Drive • Charlotte, NC 28273, USA
 Tel. +1 (704) 504-0222 • Fax +1 (704) 504-0223
 www.lutze.com • info@lutze.com

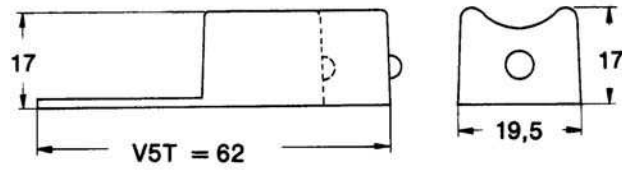
United Kingdom: LÜTZE Ltd.

Unit 3, Sandy Hill Park
 Sandy Way, Amington • GB-Tamworth, Staffs B77 4DU
 Tel. +44 (0)1827 31333-0 • Fax +44 (0)1827 31333-2
 www.lutze.com • sales.gb@lutze.co.uk

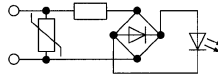


SYSTEMATIC TECHNOLOGY

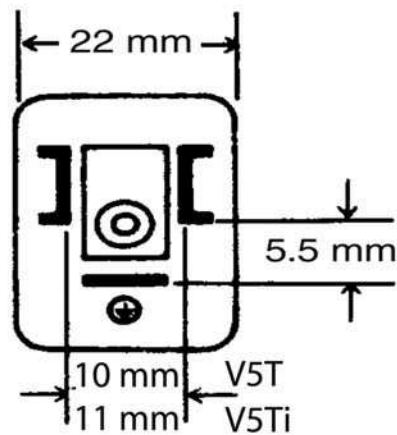
Dimensions



PIN assignment



Contact arrangement



29.01.2017 – Subject to technical modification

Part-No. 705341

USA: LUTZE INC.

13330 South Ridge Drive • Charlotte, NC 28273, USA
Tel. +1 (704) 504-0222 • Fax +1 (704) 504-0223
www.lutze.com • info@lutze.com

United Kingdom: LÜTZE Ltd.

Unit 3, Sandy Hill Park
Sandy Way, Amington • GB-Tamworth, Staffs B77 4DU
Tel. +44 (0)1827 31333-0 • Fax +44 (0)1827 31333-2
www.lutze.com • sales.gb@lutze.co.uk