



---

<b>Identification</b>	Type	LRC-V10-05602 AC/DC 230V
	Part-No.	705502

---

## Technical data

---

Function type	Suppressors for valves
Protection device	RC module
Nominal voltage	AC/DC 230 V
Current Consumption per LED	3 mA
Rated frequency	50–60 Hz
Holding capacitance	10 VA
Connecting lead	∅ 5–9 mm
Fittings	PG 9

---

## General

---

Form	Construction A, contact clearance 18 mm
Status indication LED	LED green
Coil Current max.	≤4 A
Housing material	PA black / transparent
Protection class	IP 65
Field installation	0° and 180° installation possible by rotating the coding disk
Termination	Screw terminal: 0.5–1.5 mm <sup>2</sup>
Operation temperature range	-20 °C – 60 °C
Storage temperature range	-25 °C ... 80 °C

---

29.01.2017 – Subject to technical modification

Part-No. 705502

USA: LUTZE INC.

13330 South Ridge Drive • Charlotte, NC 28273, USA  
Tel. +1 (704) 504-0222 • Fax +1 (704) 504-0223  
www.lutze.com • info@lutze.com

United Kingdom: LÜTZE Ltd.

Unit 3, Sandy Hill Park  
Sandy Way, Amington • GB-Tamworth, Staffs B77 4DU  
Tel. +44 (0)1827 31333-0 • Fax +44 (0)1827 31333-2  
www.lutze.com • sales.gb@lutze.co.uk

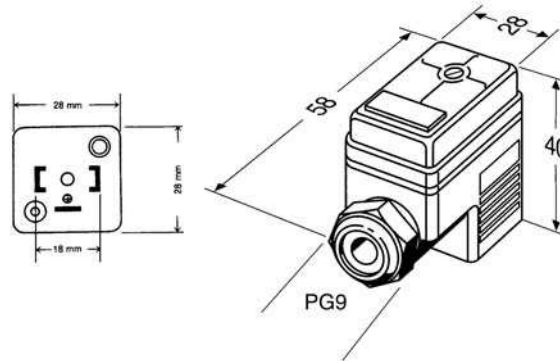


SYSTEMATIC TECHNOLOGY

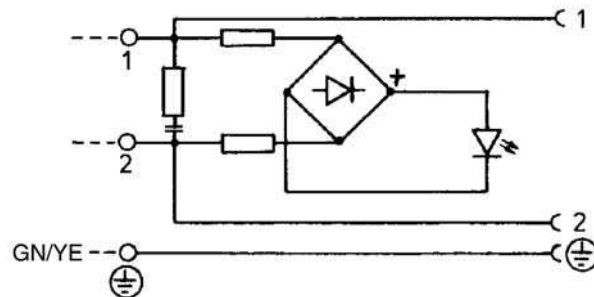
## Technical data sheet • Suppression Technology

Dimensions (w × h × d)	28.0 × 40.0 × 58.0 mm
Weight (kg/piece)	0.036
Standards	EN 175301-803 (DIN 43 650), ISO 4400

### Dimensions



### PIN assignment



### Accessories

Accessories	Color	Article number	Type	PU
Plate 9×20mm	white	681315	BZT-0920	100

29.01.2017 – Subject to technical modification

Part-No. 705502

USA: LUTZE INC.

13330 South Ridge Drive • Charlotte, NC 28273, USA  
Tel. +1 (704) 504-0222 • Fax +1 (704) 504-0223  
www.lutze.com • info@lutze.com

United Kingdom: LÜTZE Ltd.

Unit 3, Sandy Hill Park  
Sandy Way, Amington • GB-Tamworth, Staffs B77 4DU  
Tel. +44 (0)1827 31333-0 • Fax +44 (0)1827 31333-2  
www.lutze.com • sales.gb@lutze.co.uk



SYSTEMATIC TECHNOLOGY