



Identification	Type	LD-V10-5503
	Part-No.	705503
Technical data		
Function type	Double valve plug	
Protection device	Free-wheeling diode	
Nominal voltage	DC 24 V	
Nominal voltage range	18 V – 30 V	
Current Consumption per LED	6 mA	
Power	Reduction factor 40–70%, at delivery 50%	
Rise time	Pulse duration approx. 200 ms	
Switching current	≤4 A	
Holding capacitance	1000 V / 1 A	
Connecting lead	Ø 5–9 mm	
Fittings	PG 9	
General		
Form	Construction A, contact clearance 18 mm	
Status indication LED	LED green / LED yellow	
Housing material	PA black / transparent	
Protection class	IP 65	
Field installation	Breakaway torque 0.4 Nm	
Termination	Screw terminal: 0.5–1.5 mm ²	

29.01.2017 – Subject to technical modification

Part-No. 705503

USA: LUTZE INC.

13330 South Ridge Drive • Charlotte, NC 28273, USA
Tel. +1 (704) 504-0222 • Fax +1 (704) 504-0223
www.lutze.com • info@lutze.com

United Kingdom: LÜTZE Ltd.

Unit 3, Sandy Hill Park
Sandy Way, Amington • GB-Tamworth, Staffs B77 4DU
Tel. +44 (0)1827 31333-0 • Fax +44 (0)1827 31333-2
www.lutze.com • sales.gb@lutze.co.uk

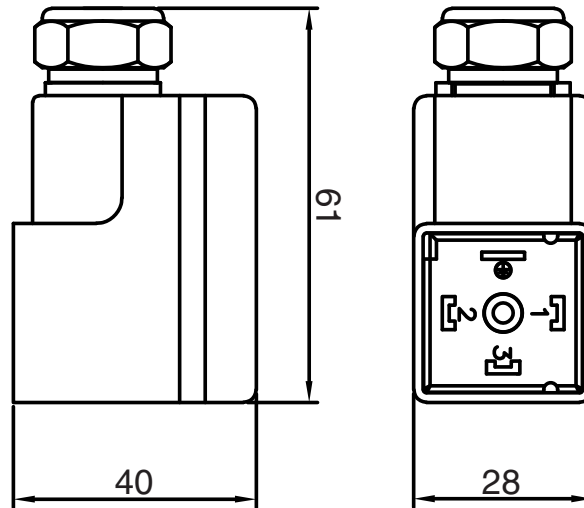


SYSTEMATIC TECHNOLOGY

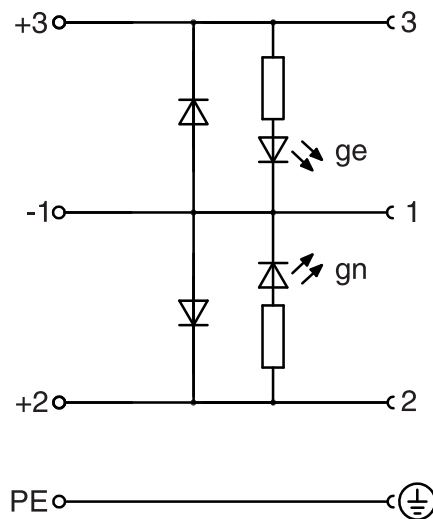
Technical data sheet • Suppression Technology

Operation temperature range	-25...+60 °C
Storage temperature range	-25 °C ... 80 °C
Dimensions (w × h × d)	28.0 × 40.0 × 58.0 mm
Weight (kg/piece)	0.035
Standards	EN 175301-803 (DIN 43 650), ISO 4400

Dimensions



PIN assignment



Accessories

Accessories	Color	Article number	Type	PU
Plate 9×20mm	white	681315	BZT-0920	100

29.01.2017 – Subject to technical modification

Part-No. 705503

USA: LUTZE INC.

13330 South Ridge Drive • Charlotte, NC 28273, USA
 Tel. +1 (704) 504-0222 • Fax +1 (704) 504-0223
 www.lutze.com • info@lutze.com

United Kingdom: LÜTZE Ltd.

Unit 3, Sandy Hill Park
 Sandy Way, Amington • GB-Tamworth, Staffs B77 4DU
 Tel. +44 (0)1827 31333-0 • Fax +44 (0)1827 31333-2
 www.lutze.com • sales.gb@lutze.co.uk



SYSTEMATIC TECHNOLOGY