



Identification	Type	LZ-V11-5605 AC/DC 24V 15VA
	Part-No.	705605

Technical data	
Function type	Suppressors for valves
Protection device	Z-Diode
Nominal voltage	AC/DC 24 V
Current Consumption per LED	4 mA
Shut-off points	≤52 V
Rated frequency	50–60 Hz
Holding capacitance	15 VA
Connecting lead	∅ 5–9 mm
Fittings	PG 9

General	
Form	Design B, contact clearance 10 mm
Status indication LED	LED green
Housing material	PA black / transparent
Protection class	IP 65
Field installation	0° and 180° installation possible by rotating the coding disk
Termination	Screw terminal: 0.5–1.5 mm ²
Operation temperature range	-25...+60 °C
Storage temperature range	-25 °C ... 80 °C

29.01.2017 – Subject to technical modification

Part-No. 705605

USA: LUTZE INC.

13330 South Ridge Drive • Charlotte, NC 28273, USA
Tel. +1 (704) 504-0222 • Fax +1 (704) 504-0223
www.lutze.com • info@lutze.com

United Kingdom: LÜTZE Ltd.

Unit 3, Sandy Hill Park
Sandy Way, Amington • GB-Tamworth, Staffs B77 4DU
Tel. +44 (0)1827 31333-0 • Fax +44 (0)1827 31333-2
www.lutze.com • sales.gb@lutze.co.uk

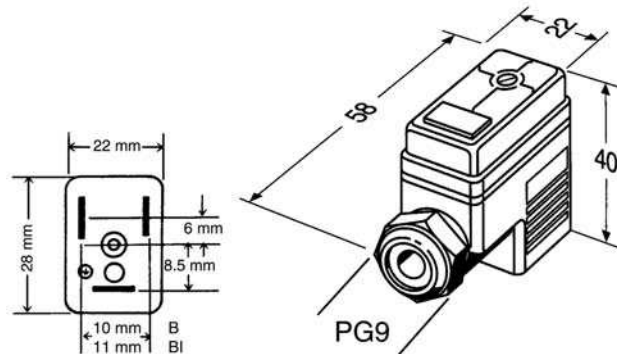


SYSTEMATIC TECHNOLOGY

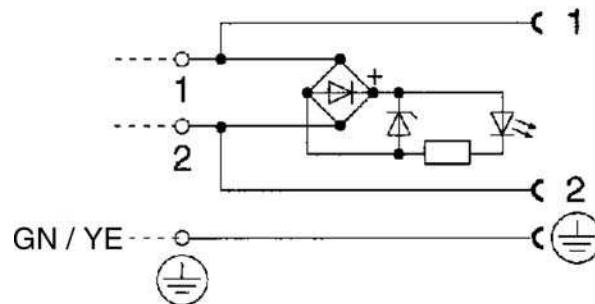
Technical data sheet • Suppression Technology

Dimensions (w × h × d)	22.0 × 40.0 × 58.0 mm
Weight (kg/piece)	0.032
Standards	EN 175301-803 (DIN 43 650), ISO 6952

Dimensions



PIN assignment



Accessories

Accessories	Color	Article number	Type	PU
Plate 9×20mm	white	681315	BZT-0920	100

29.01.2017 – Subject to technical modification

Part-No. 705605

USA: LUTZE INC.

13330 South Ridge Drive • Charlotte, NC 28273, USA
 Tel. +1 (704) 504-0222 • Fax +1 (704) 504-0223
 www.lutze.com • info@lutze.com

United Kingdom: LÜTZE Ltd.

Unit 3, Sandy Hill Park
 Sandy Way, Amington • GB-Tamworth, Staffs B77 4DU
 Tel. +44 (0)1827 31333-0 • Fax +44 (0)1827 31333-2
 www.lutze.com • sales.gb@lutze.co.uk



SYSTEMATIC TECHNOLOGY