



---

<b>Identification</b>	Type	LVER-V11-5610 DC 24V
	Part-No.	705610

---

---

<b>Technical data</b>	
Function type	Switching amplifier
Protection device	Suppressor diode
Nominal voltage	DC 24 V
Nominal voltage range	18 V – 30 V
Current Consumption per LED	19 mA
Shut-off points	≤52 V
Control current	8 mA
Control voltage	In: 9 V–30 V Out: 0 V–5 V
Switching current	0.005A – 2A
Switching frequency	max. 20 Hz
Switch-on delay	<100 μs
Switch-off delay	<200 μs
Holding capacitance	100 VA
Connecting lead	∅ 5–9 mm
Fittings	PG 9
Short-circuit protection	yes

---

---

<b>General</b>	
Form	Construction B

---

29.01.2017 – Subject to technical modification

Part-No. 705610

USA: LUTZE INC.

13330 South Ridge Drive • Charlotte, NC 28273, USA  
Tel. +1 (704) 504-0222 • Fax +1 (704) 504-0223  
www.lutze.com • info@lutze.com

United Kingdom: LÜTZE Ltd.

Unit 3, Sandy Hill Park  
Sandy Way, Amington • GB-Tamworth, Staffs B77 4DU  
Tel. +44 (0)1827 31333-0 • Fax +44 (0)1827 31333-2  
www.lutze.com • sales.gb@lutze.co.uk

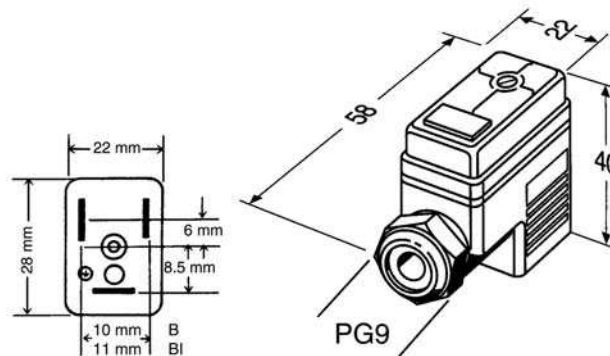


SYSTEMATIC TECHNOLOGY

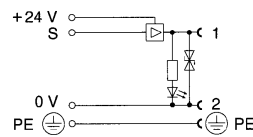
## Technical data sheet • Suppression Technology

Status indication LED	LED green
Galvanic insulation I/O	No
Derating	No
Housing material	PA black / transparent
Protection class	IP 65
Field installation	Breakaway torque 0.4 Nm
Termination	Screw terminal: 0.5–1.5 mm <sup>2</sup>
Operation temperature range	-25...+60 °C
Storage temperature range	-25 °C ... 80 °C
Dimensions (w × h × d)	22.0 × 40.0 × 58.0 mm
Weight (kg/piece)	0.036
Standards	EN 175301-803 (DIN 43 650), ISO 6952

### Dimensions



### PIN assignment



### Accessories

Accessories	Color	Article number	Type	PU
Plate 9×20mm	white	681315	BZT-0920	100

29.01.2017 – Subject to technical modification

Part-No. 705610

USA: LUTZE INC.

13330 South Ridge Drive • Charlotte, NC 28273, USA

Tel. +1 (704) 504-0222 • Fax +1 (704) 504-0223

www.lutze.com • info@lutze.com

United Kingdom: LÜTZE Ltd.

Unit 3, Sandy Hill Park

Sandy Way, Amington • GB-Tamworth, Staffs B77 4DU

Tel. +44 (0)1827 31333-0 • Fax +44 (0)1827 31333-2

www.lutze.com • sales.gb@lutze.co.uk



SYSTEMATIC TECHNOLOGY