



Identification	Type	LS-V23-5813 AC/DC 24V
	Part-No.	705813
Technical data		
Function type	Suppressors for valves	
Protection device	Z-diode + LED	
Nominal voltage	AC/DC 24 V	
Rated frequency	50–60 Hz	
Connecting lead	Ø 3 – 5.5 mm	
General		
Form	C DIN, contact clearance 8 mm	
Status indication LED	LED yellow	
Housing material	PA transparent UL94-HB	
Protection class	IP 67	
Field installation	Breakaway torque 0.4 Nm	
Termination	Screw terminal max. 18 AWG / 1.5 mm ²	
Seal	NBR	
Operation temperature range	-40 °C – 60 °C	
Dimensions (w × h × d)	15.6 × 27.8 × 34.0 mm	
Weight (kg/piece)	0.012	
Standards	EN 175301-803 (DIN 43 650)	

29.01.2017 – Subject to technical modification

Part-No. 705813

USA: LUTZE INC.

13330 South Ridge Drive • Charlotte, NC 28273, USA
Tel. +1 (704) 504-0222 • Fax +1 (704) 504-0223
www.lutze.com • info@lutze.com

United Kingdom: LÜTZE Ltd.

Unit 3, Sandy Hill Park
Sandy Way, Amington • GB-Tamworth, Staffs B77 4DU
Tel. +44 (0)1827 31333-0 • Fax +44 (0)1827 31333-2
www.lutze.com • sales.gb@lutze.co.uk



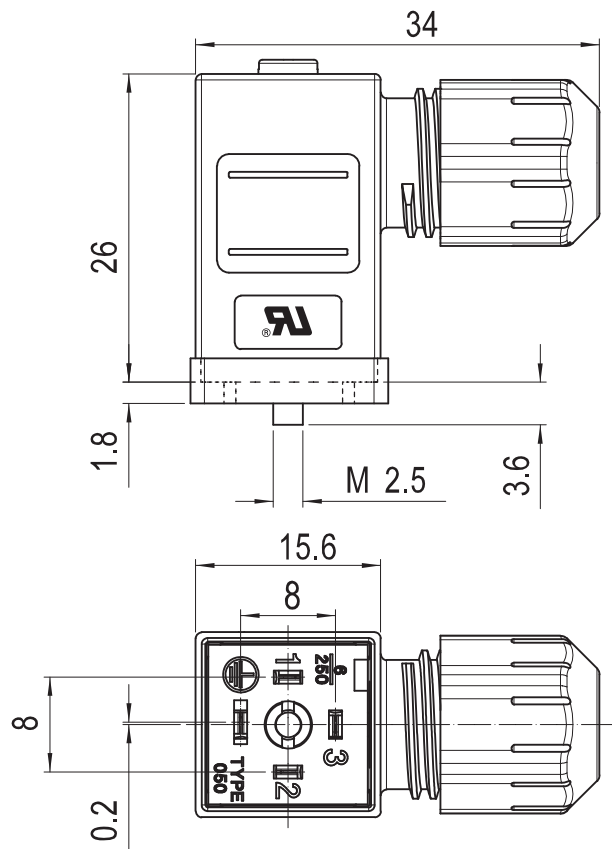
SYSTEMATIC TECHNOLOGY

Technical data sheet • Suppression Technology

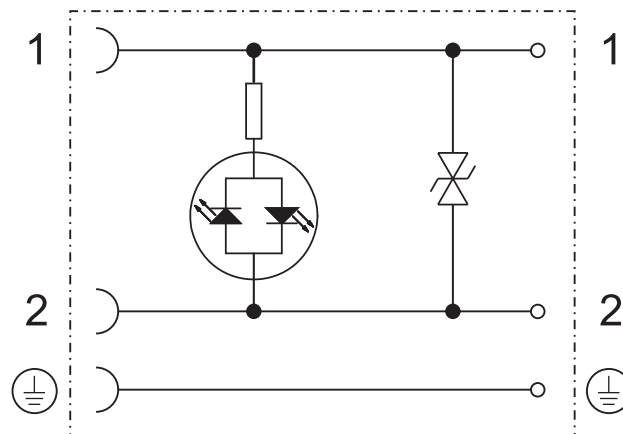
Approvals

UL recognized

Dimensions



PIN assignment



29.01.2017 – Subject to technical modification

Part-No. 705813

USA: LUTZE INC.

13330 South Ridge Drive • Charlotte, NC 28273, USA
 Tel. +1 (704) 504-0222 • Fax +1 (704) 504-0223
 www.lutze.com • info@lutze.com

United Kingdom: LÜTZE Ltd.

Unit 3, Sandy Hill Park
 Sandy Way, Amington • GB-Tamworth, Staffs B77 4DU
 Tel. +44 (0)1827 31333-0 • Fax +44 (0)1827 31333-2
 www.lutze.com • sales.gb@lutze.co.uk