



Identification	Type	LV-V20-5830 AC/DC 110-230V
	Part-No.	705830

Technical data

Function type	Suppressors for valves
Protection device	Varistor + LED
Nominal voltage	AC/DC 110–230 V
Rated frequency	50–60 Hz
Connecting lead	∅ 4 – 9 mm

General

Form	Construction A, contact clearance 18 mm
Status indication LED	LED yellow
Housing material	PA transparent UL94-HB
Protection class	IP 67
Field installation	Breakaway torque 0.4 Nm
Termination	Screw terminal max. 16 AWG / 1.5 mm ²
Seal	NBR black
Operation temperature range	-40 °C – 90 °C
Dimensions (w × h × d)	26.8 × 28.8 × 50.0 mm
Weight (kg/piece)	0.023
Standards	EN 175301-803 (DIN 43 650)
Approvals	UL recognized

29.01.2017 – Subject to technical modification

Part-No. 705830

USA: LUTZE INC.

13330 South Ridge Drive • Charlotte, NC 28273, USA
Tel. +1 (704) 504-0222 • Fax +1 (704) 504-0223
www.lutze.com • info@lutze.com

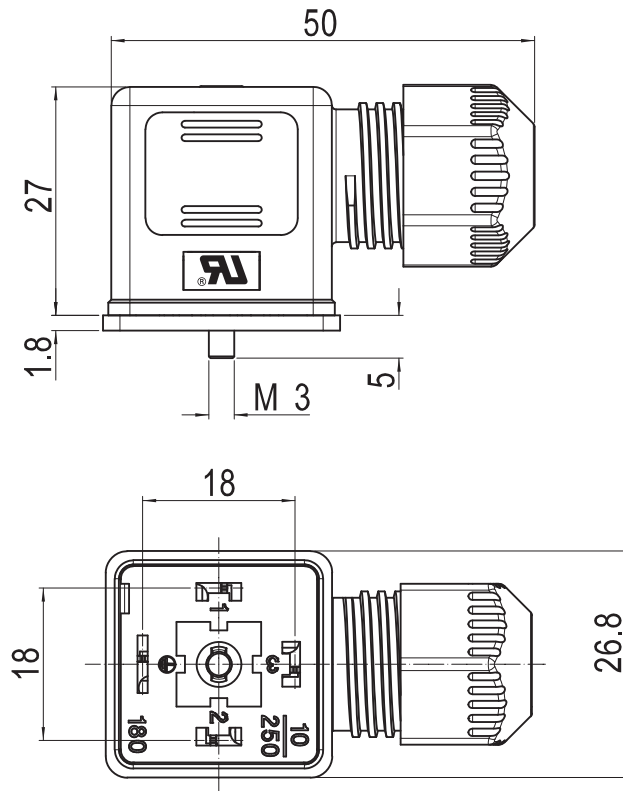
United Kingdom: LÜTZE Ltd.

Unit 3, Sandy Hill Park
Sandy Way, Amington • GB-Tamworth, Staffs B77 4DU
Tel. +44 (0)1827 31333-0 • Fax +44 (0)1827 31333-2
www.lutze.com • sales.gb@lutze.co.uk

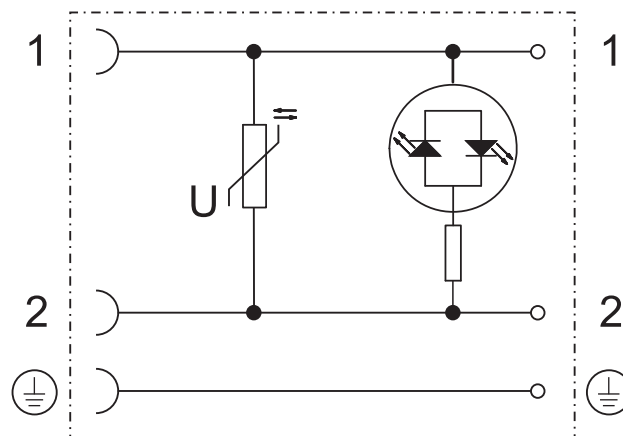


SYSTEMATIC TECHNOLOGY

Dimensions



PIN assignment



29.01.2017 – Subject to technical modification

Part-No. 705830

USA: LUTZE INC.

13330 South Ridge Drive • Charlotte, NC 28273, USA

Tel. +1 (704) 504-0222 • Fax +1 (704) 504-0223

www.lutze.com • info@lutze.com

United Kingdom: LÜTZE Ltd.

Unit 3, Sandy Hill Park

Sandy Way, Amington • GB-Tamworth, Staffs B77 4DU

Tel. +44 (0)1827 31333-0 • Fax +44 (0)1827 31333-2

www.lutze.com • sales.gb@lutze.co.uk



SYSTEMATIC TECHNOLOGY