

Identification	Type	LV-VM1-6167 3AC 575V 7,5kW
	Part-No.	706167

Technical data	
Function type	Motor suppression
Protection device	varistor
Nominal voltage	3 ACx575 V
Shut-off points	≤1075 V
Rated frequency	10–400 Hz
Motor performance	7.5 kW
Type of connecting lead	H07V-U 1.5 mm ² , black
Length of connecting lead (M)	0.03 M
Suppression type	Motor connection star

General	
Form	VM1
Pottant	2-components
Housing material	PPO
Protection class	IP 67
Field installation	for direct attachment to switches
Termination	stripped cable ends
Operation temperature range	-20 °C – 60 °C
Storage temperature range	-40 °C ... 90 °C

29.01.2017 – Subject to technical modification

Part-No. 706167

USA: LUTZE INC.

13330 South Ridge Drive • Charlotte, NC 28273, USA
 Tel. +1 (704) 504-0222 • Fax +1 (704) 504-0223
 www.lutze.com • info@lutze.com

United Kingdom: LÜTZE Ltd.

Unit 3, Sandy Hill Park
 Sandy Way, Amington • GB-Tamworth, Staffs B77 4DU
 Tel. +44 (0)1827 31333-0 • Fax +44 (0)1827 31333-2
 www.lutze.com • sales.gb@lutze.co.uk

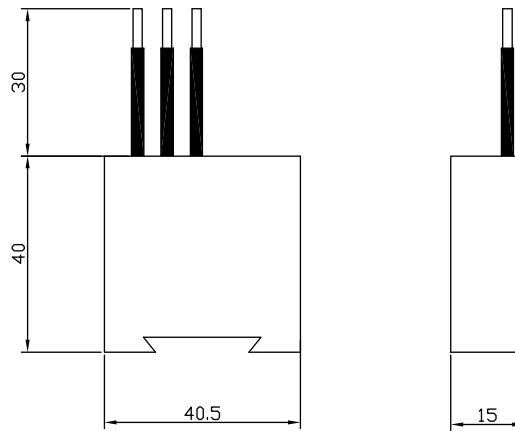


SYSTEMATIC TECHNOLOGY

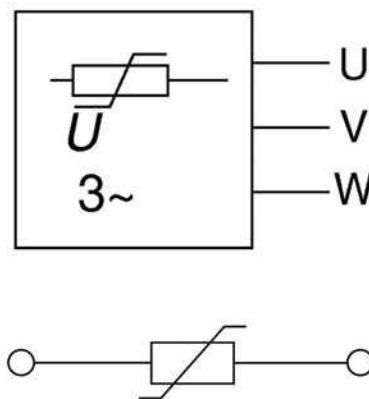
Technical data sheet · Suppression Technology

Dimensions (w × h × d)	15.0 × 40.0 × 40.5 mm
Weight (kg/piece)	0.015
Approvals	cURus

Dimensions



PIN assignment



Symbols



29.01.2017 – Subject to technical modification

Part-No. 706167

USA: LUTZE INC.

13330 South Ridge Drive · Charlotte, NC 28273, USA
Tel. +1 (704) 504-0222 · Fax +1 (704) 504-0223
www.lutze.com · info@lutze.com

United Kingdom: LÜTZE Ltd.

Unit 3, Sandy Hill Park
Sandy Way, Amington · GB-Tamworth, Staffs B77 4DU
Tel. +44 (0)1827 31333-0 · Fax +44 (0)1827 31333-2
www.lutze.com · sales.gb@lutze.co.uk