



---

<b>Identification</b>	Type	LDS-V10-7508L 0° DC 24V
	Part-No.	707508

---

<b>Technical data</b>	
Function type	Pressure switch / function monitor
Protection device	Diode
Nominal voltage	DC 24 V
Nominal voltage range	18 V – 30 V
Current Consumption per LED	16 mA
Switching current	≤ 4 A
Holding capacitance	1600 V / 1 A
Connecting lead	Ø 5–9 mm
Fittings	PG 9

---

<b>General</b>	
Form	Construction A, contact clearance 18 mm
Status indication LED	LED yellow + LED green
Housing material	PA transparent
Protection class	IP 65
Field installation	Breakaway torque 0.4 Nm
Termination	Screw terminal: 0.5–1.5 mm <sup>2</sup>
Operation temperature range	-25...+60 °C
Storage temperature range	-25 °C ... 80 °C

---

29.01.2017 – Subject to technical modification

Part-No. 707508

USA: LUTZE INC.

13330 South Ridge Drive • Charlotte, NC 28273, USA  
Tel. +1 (704) 504-0222 • Fax +1 (704) 504-0223  
www.lutze.com • info@lutze.com

United Kingdom: LÜTZE Ltd.

Unit 3, Sandy Hill Park  
Sandy Way, Amington • GB-Tamworth, Staffs B77 4DU  
Tel. +44 (0)1827 31333-0 • Fax +44 (0)1827 31333-2  
www.lutze.com • sales.gb@lutze.co.uk

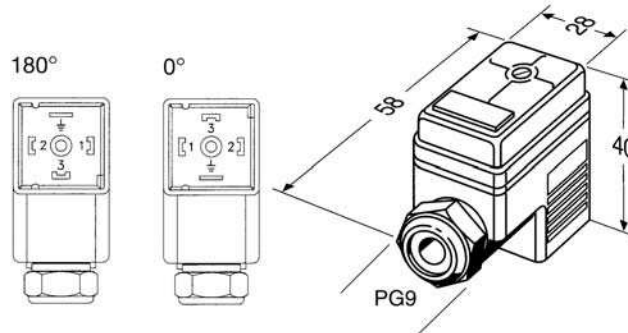


SYSTEMATIC TECHNOLOGY

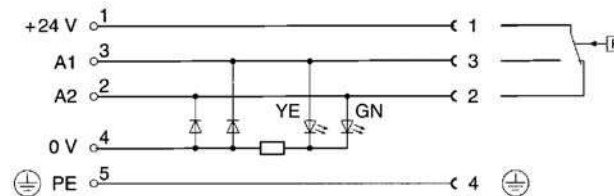
# Technical data sheet • Suppression Technology

Dimensions (w × h × d)                      28.0 × 40.0 × 58.0 mm  
 Weight (kg/piece)                            0.036  
 Standards                                        EN 175301-803 (DIN 43 650), ISO 4400

## Dimensions



## PIN assignment



## Accessories

Accessories	Color	Article number	Type	PU
Tag holder 9×20 mm	white	681315	BZT-0920	100

29.01.2017 – Subject to technical modification

Part-No. 707508

USA: LUTZE INC.

13330 South Ridge Drive • Charlotte, NC 28273, USA  
 Tel. +1 (704) 504-0222 • Fax +1 (704) 504-0223  
 www.lutze.com • info@lutze.com

United Kingdom: LÜTZE Ltd.

Unit 3, Sandy Hill Park  
 Sandy Way, Amington • GB-Tamworth, Staffs B77 4DU  
 Tel. +44 (0)1827 31333-0 • Fax +44 (0)1827 31333-2  
 www.lutze.com • sales.gb@lutze.co.uk



SYSTEMATIC TECHNOLOGY