



<b>Identification</b>	Type	LS-A 2,5 m FLRY AC/DC 12-24 V
	Part-No.	709428.0250
<b>Technical data</b>		
Function type	Suppressors for valves	
Protection device	Suppressor diode + LED	
Nominal voltage	AC/DC 12–24 V	
Rated frequency	50–60 Hz	
Holding capacitance	≤100 VA	
Type of connecting lead	Single wire FLRY black. blue 0.75 mm <sup>2</sup>	
Length of connecting lead (M)	2.5 M	
Connecting lead	Ø 1.8 mm	
<b>General</b>		
Form	Construction A, contact clearance 18 mm	
Coil Current max.	≤7 A	
Conductor marking	black, blue	
Housing material	TPU translucent black <sup>1)</sup>	
Contact material	CuSn, silver-plated	
Befestigung	Fixing screw stainless steel 1.4567	
Protection class	IP 65	
Field installation	Breakaway torque 0.4 Nm	
Operation temperature range	Plug: -25 °C – 90 °C Cable: -40 °C – 105 °C	

29.01.2017 – Subject to technical modification

Part-No. 709428.0250

USA: LUTZE INC.

13330 South Ridge Drive • Charlotte, NC 28273, USA

Tel. +1 (704) 504-0222 • Fax +1 (704) 504-0223

www.lutze.com • info@lutze.com

United Kingdom: LÜTZE Ltd.

Unit 3, Sandy Hill Park

Sandy Way, Amington • GB-Tamworth, Staffs B77 4DU

Tel. +44 (0)1827 31333-0 • Fax +44 (0)1827 31333-2

www.lutze.com • sales.gb@lutze.co.uk

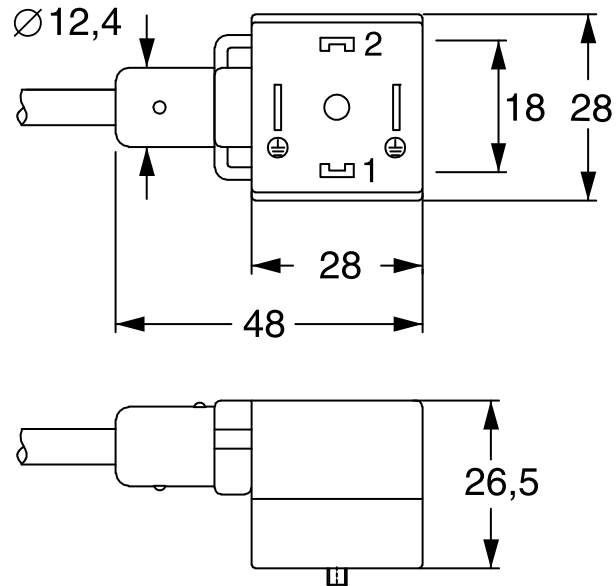


SYSTEMATIC TECHNOLOGY

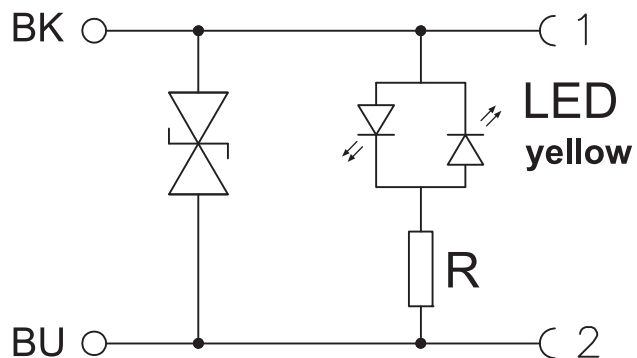
# Technical data sheet · Suppression Technology

Storage temperature range	-40 °C ... 90 °C
Dimensions (w × h × d)	28.0 × 26.5 × 48.0 mm
Weight (kg/piece)	0.110
Standards	EN 175301-803 (DIN 43 650), ISO 4400

## Dimensions



## PIN assignment



## Comments

<sup>1)</sup> Excellent chemical and oil resistance. The material resistance must be checked based on the application for use with aggressive media!

29.01.2017 – Subject to technical modification

Part-No. 709428.0250

USA: LUTZE INC.

13330 South Ridge Drive · Charlotte, NC 28273, USA

Tel. +1 (704) 504-0222 · Fax +1 (704) 504-0223

www.lutze.com · info@lutze.com

United Kingdom: LÜTZE Ltd.

Unit 3, Sandy Hill Park

Sandy Way, Amington · GB-Tamworth, Staffs B77 4DU

Tel. +44 (0)1827 31333-0 · Fax +44 (0)1827 31333-2

www.lutze.com · sales.gb@lutze.co.uk