



Identification	Type	LS-AMP 9443.0500 5,0m PVC
	Part-No.	709443.0500

Technical data	
Function type	Suppressors for valves
Protection device	Suppressor diode + LED
Nominal voltage	AC/DC 18–30 V
Current Consumption per LED	10 mA
Shut-off points	≥75 V
Rated frequency	50–60 Hz
Holding capacitance	≤100 VA
Type of connecting lead	0.75 mm ² single conductor FLRY Type B (PVC 105 °C)
Length of connecting lead (M)	5 M
Connecting lead	∅ 2.1 mm ± 0.20 mm

General	
Form	AMP Junior Timer, 2-pin
Status indication LED	LED yellow
Coil Current max.	≤4 A
Conductor marking	black, blue
Housing material	Polyamide 6.6 ¹⁾
Protection class	IP 65
Field installation	plug-in

29.01.2017 – Subject to technical modification

Part-No. 709443.0500

USA: LUTZE INC.

13330 South Ridge Drive • Charlotte, NC 28273, USA

Tel. +1 (704) 504-0222 • Fax +1 (704) 504-0223

www.lutze.com • info@lutze.com

United Kingdom: LÜTZE Ltd.

Unit 3, Sandy Hill Park

Sandy Way, Amington • GB-Tamworth, Staffs B77 4DU

Tel. +44 (0)1827 31333-0 • Fax +44 (0)1827 31333-2

www.lutze.com • sales.gb@lutze.co.uk

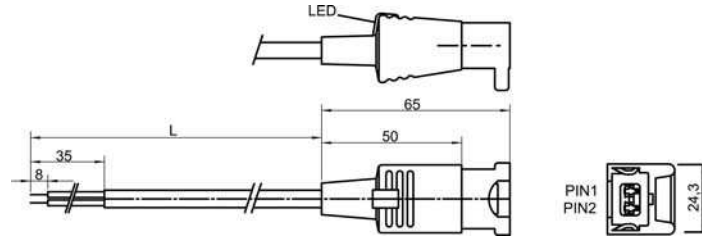


SYSTEMATIC TECHNOLOGY

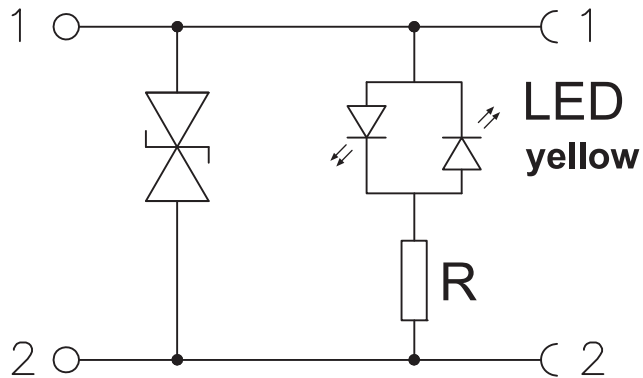
Technical data sheet • Suppression Technology

Operation temperature range	Male: -30 °C – 80 °C, cable: fixed -40 °C– 105 °C, moving -40 °C – 105 °C
Storage temperature range	-40 °C ... 90 °C
Dimensions (w × h × d)	24.3 × 22.3 × 65.0 mm
Weight (kg/piece)	0.150

Dimensions



PIN assignment



Comments

¹⁾ Excellent chemical and oil resistance. The material resistance must be checked based on the application for use with aggressive media!

29.01.2017 – Subject to technical modification

Part-No. 709443.0500

USA: LUTZE INC.

13330 South Ridge Drive • Charlotte, NC 28273, USA
Tel. +1 (704) 504-0222 • Fax +1 (704) 504-0223
www.lutze.com • info@lutze.com

United Kingdom: LÜTZE Ltd.

Unit 3, Sandy Hill Park
Sandy Way, Amington • GB-Tamworth, Staffs B77 4DU
Tel. +44 (0)1827 31333-0 • Fax +44 (0)1827 31333-2
www.lutze.com • sales.gb@lutze.co.uk



SYSTEMATIC TECHNOLOGY