



| | | |
|-------------------------------|---|---------------------|
| Identification | Type | LS-AMP 474 7,5m PUR |
| | Part-No. | 709474 |
| Technical data | | |
| Function type | Suppressors for valves | |
| Protection device | Suppressor diode + LED | |
| Nominal voltage | AC/DC 24 V | |
| Current Consumption per LED | 10 mA | |
| Shut-off points | ≥75 V | |
| Rated frequency | 50–60 Hz | |
| Holding capacitance | ≤100 VA | |
| Type of connecting lead | PUR black/PE 2 × 0.75 mm ² ¹⁾ | |
| Length of connecting lead (M) | 7.5 M | |
| Connecting lead | ∅ 5.2 ± 0.20 mm | |
| General | | |
| Form | AMP Junior Timer, 2-pin | |
| Status indication LED | LED yellow | |
| Coil Current max. | ≤4 A | |
| Conductor marking | black, blue | |
| Housing material | Polyamid 6.6 | |
| Protection class | IP 65 | |
| Field installation | plug-in | |

29.01.2017 – Subject to technical modification

Part-No. 709474

USA: LUTZE INC.

13330 South Ridge Drive • Charlotte, NC 28273, USA

Tel. +1 (704) 504-0222 • Fax +1 (704) 504-0223

www.lutze.com • info@lutze.com

United Kingdom: LÜTZE Ltd.

Unit 3, Sandy Hill Park

Sandy Way, Amington • GB-Tamworth, Staffs B77 4DU

Tel. +44 (0)1827 31333-0 • Fax +44 (0)1827 31333-2

www.lutze.com • sales.gb@lutze.co.uk

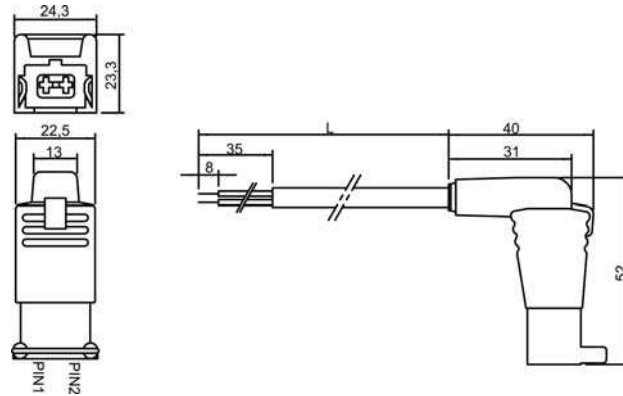


SYSTEMATIC TECHNOLOGY

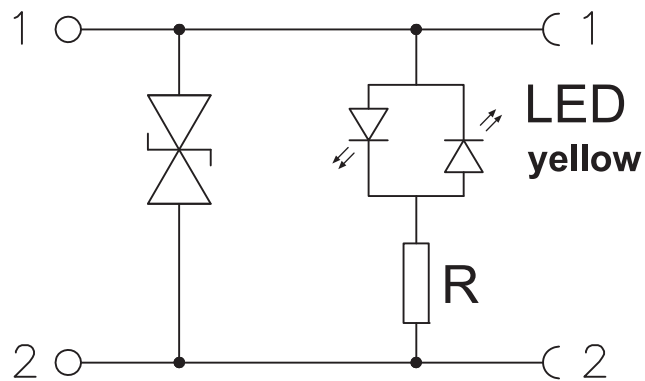
Technical data sheet • Suppression Technology

| | |
|-----------------------------|---|
| Operation temperature range | Male: -25 °C – 80 °C, cable: fixed -30 °C– 90 °C, moving -15 °C – 80 °C |
| Storage temperature range | -40 °C ... 90 °C |
| Dimensions (w × h × d) | 24.3 × 40.0 × 52.0 mm |
| Weight (kg/piece) | 0.330 |

Dimensions



PIN assignment



Comments

¹⁾ Excellent chemical and oil resistance. The material resistance must be checked based on the application for use with aggressive media!

29.01.2017 – Subject to technical modification

Part-No. 709474

USA: LUTZE INC.

13330 South Ridge Drive • Charlotte, NC 28273, USA
Tel. +1 (704) 504-0222 • Fax +1 (704) 504-0223
www.lutze.com • info@lutze.com

United Kingdom: LÜTZE Ltd.

Unit 3, Sandy Hill Park
Sandy Way, Amington • GB-Tamworth, Staffs B77 4DU
Tel. +44 (0)1827 31333-0 • Fax +44 (0)1827 31333-2
www.lutze.com • sales.gb@lutze.co.uk



SYSTEMATIC TECHNOLOGY