



---

<b>Identification</b>	Type	LS-AMP 475 10m PUR
	Part-No.	709475

---

<b>Technical data</b>	
Function type	Suppressors for valves
Protection device	Suppressor diode + LED
Nominal voltage	AC/DC 24 V
Current Consumption per LED	10 mA
Shut-off points	≥75 V
Rated frequency	50–60 Hz
Holding capacitance	≤100 VA
Type of connecting lead	PUR black/PE 2 × 0.75 mm <sup>2</sup> <sup>1)</sup>
Length of connecting lead (M)	10 M
Connecting lead	∅ 5.2 ± 0.20 mm

---

<b>General</b>	
Form	AMP Junior Timer, 2-pin
Status indication LED	LED yellow
Coil Current max.	≤4 A
Conductor marking	black, blue
Housing material	Polyamid 6.6
Protection class	IP 65
Field installation	plug-in

29.01.2017 – Subject to technical modification

Part-No. 709475

USA: LUTZE INC.

13330 South Ridge Drive • Charlotte, NC 28273, USA  
Tel. +1 (704) 504-0222 • Fax +1 (704) 504-0223  
www.lutze.com • info@lutze.com

United Kingdom: LÜTZE Ltd.

Unit 3, Sandy Hill Park  
Sandy Way, Amington • GB-Tamworth, Staffs B77 4DU  
Tel. +44 (0)1827 31333-0 • Fax +44 (0)1827 31333-2  
www.lutze.com • sales.gb@lutze.co.uk

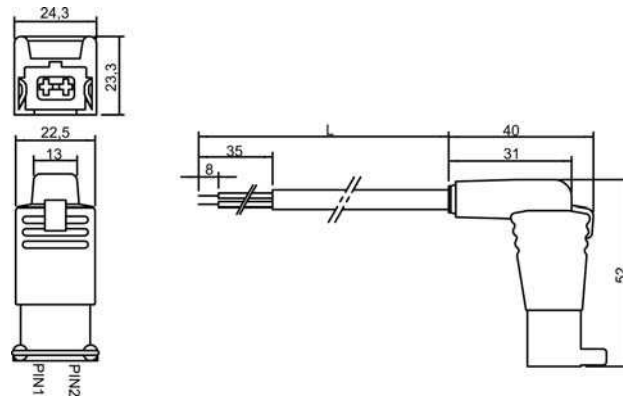


SYSTEMATIC TECHNOLOGY

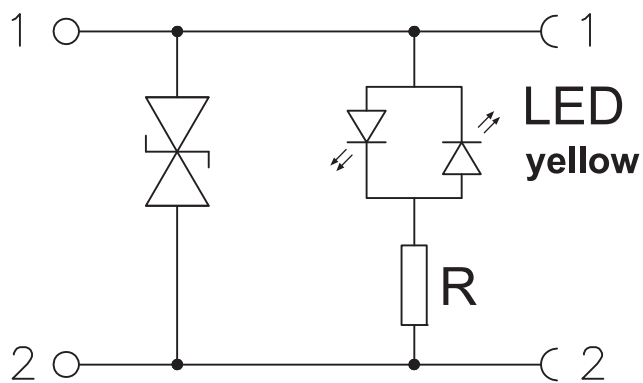
## Technical data sheet • Suppression Technology

Operation temperature range	Male: -25 °C – 80 °C, cable: fixed -30 °C– 90 °C, moving -15 °C – 80 °C
Storage temperature range	-40 °C ... 90 °C
Dimensions (w × h × d)	24.3 × 40.0 × 52.0 mm
Weight (kg/piece)	0.460

### Dimensions



### PIN assignment



### Comments

<sup>1)</sup> Excellent chemical and oil resistance. The material resistance must be checked based on the application for use with aggressive media!

29.01.2017 – Subject to technical modification

Part-No. 709475

USA: LUTZE INC.

13330 South Ridge Drive • Charlotte, NC 28273, USA  
Tel. +1 (704) 504-0222 • Fax +1 (704) 504-0223  
www.lutze.com • info@lutze.com

United Kingdom: LÜTZE Ltd.

Unit 3, Sandy Hill Park  
Sandy Way, Amington • GB-Tamworth, Staffs B77 4DU  
Tel. +44 (0)1827 31333-0 • Fax +44 (0)1827 31333-2  
www.lutze.com • sales.gb@lutze.co.uk



SYSTEMATIC TECHNOLOGY