



Identification	Type	LD-A-9527 5,0m PUR 24V
	Part-No.	709527

Technical data

Function type	Suppressors for valves
Protection device	Diode + LED
Nominal voltage	DC 24 V
Current Consumption per LED	4 mA
Shut-off points	≤1 V
Type of connecting lead	PUR black/PVC 3 × 0.5 mm ²
Length of connecting lead (M)	5 M
Connecting lead	∅ 5.0 ± 0.15 mm

General

Form	Construction A, contact clearance 18 mm
Coil Current max.	≤4 A
Conductor marking	color-coded conductors
Housing material	TPU transparent ¹⁾
Protection class	IP 67
Field installation	Breakaway torque 0.4 Nm Direct assembly with protective conduit is possible.
Operation temperature range	Male: -25 °C – 90 °C, cable: fixed -40 °C– 80 °C, moving -20 °C – 80 °C
Storage temperature range	-40 °C ... 90 °C
Dimensions (w × h × d)	28.0 × 26.5 × 48.0 mm

29.01.2017 – Subject to technical modification

Part-No. 709527

USA: LUTZE INC.

13330 South Ridge Drive • Charlotte, NC 28273, USA
Tel. +1 (704) 504-0222 • Fax +1 (704) 504-0223
www.lutze.com • info@lutze.com

United Kingdom: LÜTZE Ltd.

Unit 3, Sandy Hill Park
Sandy Way, Amington • GB-Tamworth, Staffs B77 4DU
Tel. +44 (0)1827 31333-0 • Fax +44 (0)1827 31333-2
www.lutze.com • sales.gb@lutze.co.uk



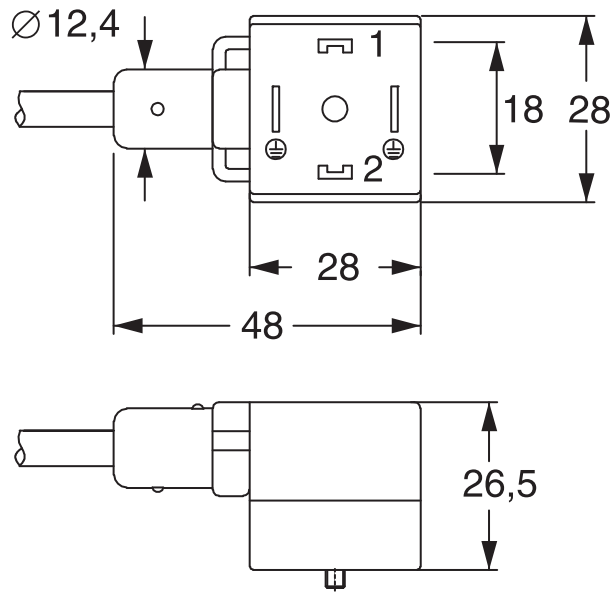
SYSTEMATIC TECHNOLOGY

Technical data sheet • Suppression Technology

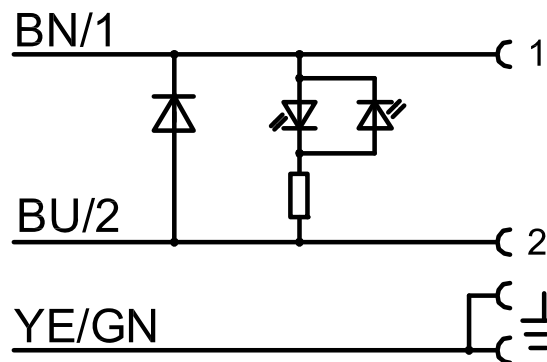
Weight (kg/piece)
Standards

0.225
EN 175301-803 (DIN 43 650), ISO 4400

Dimensions



PIN assignment



Accessories

29.01.2017 – Subject to technical modification

Part-No. 709527

USA: LUTZE INC.

13330 South Ridge Drive • Charlotte, NC 28273, USA
Tel. +1 (704) 504-0222 • Fax +1 (704) 504-0223
www.lutze.com • info@lutze.com

United Kingdom: LÜTZE Ltd.

Unit 3, Sandy Hill Park
Sandy Way, Amington • GB-Tamworth, Staffs B77 4DU
Tel. +44 (0)1827 31333-0 • Fax +44 (0)1827 31333-2
www.lutze.com • sales.gb@lutze.co.uk



SYSTEMATIC TECHNOLOGY

Technical data sheet - Suppression Technology

Accessories	Color	Article number	Type	PU
Plate 7×20mm	white	760968	BZT-0720	100
Protective pipes:				
-PA	black	271142	CX 12 PA	50
-PVC with hard PVC coil	grey	270401	CF 12 EL	30
-PVC with steel braiding		270011	CF 13 S	50
-PUR with coil		270411	CF PUR 12 EL	22
Marker sleeve	transparent	499995		500
Plate 4×23mm for 499995		499988		200

Comments

¹⁾Very good chemical and oil resistance. The material resistance must be checked based on the application for use with aggressive media!

29.01.2017 – Subject to technical modification

Part-No. 709527

USA: LUTZE INC.

13330 South Ridge Drive • Charlotte, NC 28273, USA

Tel. +1 (704) 504-0222 • Fax +1 (704) 504-0223

www.lutze.com • info@lutze.com

United Kingdom: LÜTZE Ltd.

Unit 3, Sandy Hill Park

Sandy Way, Amington • GB-Tamworth, Staffs B77 4DU

Tel. +44 (0)1827 31333-0 • Fax +44 (0)1827 31333-2

www.lutze.com • sales.gb@lutze.co.uk



SYSTEMATIC TECHNOLOGY