



| | | |
|-------------------------------|---------------------------------------------------------------------------------|----------------------|
| Identification | Type | LS-C-9654 5m PVC 24V |
| | Part-No. | 709654 |
| Technical data | | |
| Function type | Suppressors for valves | |
| Protection device | Suppressor diode | |
| Nominal voltage | AC/DC 24 V | |
| Current Consumption per LED | 4 mA | |
| Shut-off points | ≤52 V | |
| Rated frequency | 50–60 Hz | |
| Holding capacitance | ≤ 70VA | |
| Type of connecting lead | PVC black / PVC 3 × 0.5 mm ² | |
| Length of connecting lead (M) | 5 M | |
| Connecting lead | ∅ 4.8 ± 0.15 mm | |
| General | | |
| Form | Construction C, contact clearance 8 mm | |
| Status indication LED | LED yellow | |
| Coil Current max. | ≤3 A | |
| Conductor marking | color-coded conductors | |
| Housing material | TPU transparent ¹⁾ | |
| Protection class | IP 67 | |
| Field installation | Breakaway torque 0.4 Nm Direct assembly with protective conduit is possible. | |

29.01.2017 – Subject to technical modification

Part-No. 709654

USA: LUTZE INC.

13330 South Ridge Drive • Charlotte, NC 28273, USA
Tel. +1 (704) 504-0222 • Fax +1 (704) 504-0223
www.lutze.com • info@lutze.com

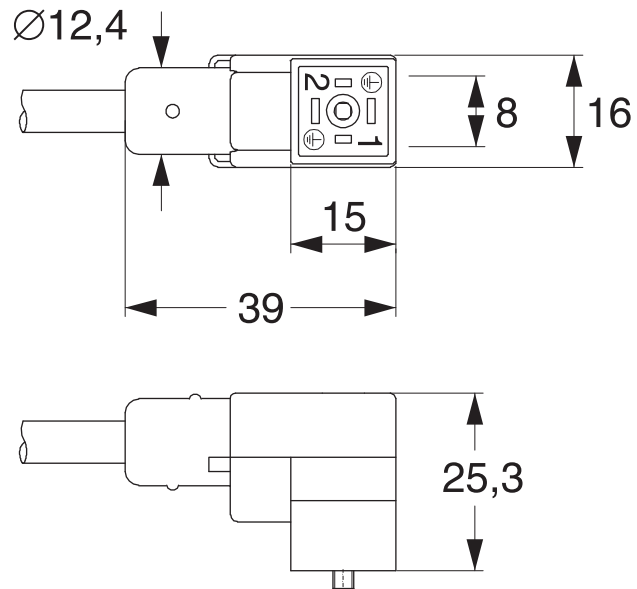
United Kingdom: LÜTZE Ltd.

Unit 3, Sandy Hill Park
Sandy Way, Amington • GB-Tamworth, Staffs B77 4DU
Tel. +44 (0)1827 31333-0 • Fax +44 (0)1827 31333-2
www.lutze.com • sales.gb@lutze.co.uk

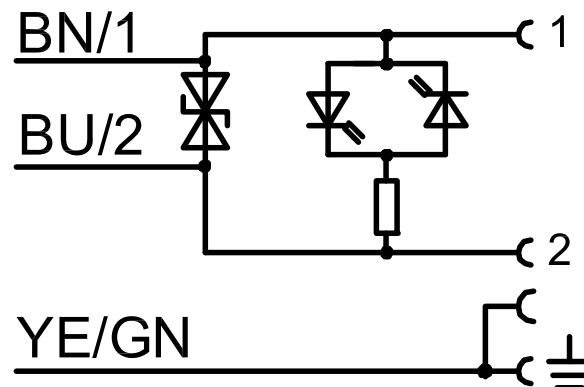
Technical data sheet · Suppression Technology

| | |
|-----------------------------|------------------------------------------------------------------|
| Operation temperature range | Male: -25°C – 90°C, cable: fixed -30°C– 80°C, moving -5°C – 70°C |
| Storage temperature range | -40 °C ... 90 °C |
| Dimensions (w × h × d) | 16.0 × 25.3 × 39.0 mm |
| Weight (kg/piece) | 0.215 |
| Standards | EN 175301-803 (DIN 43 650) ISO 6952 |

Dimensions



PIN assignment



Accessories

29.01.2017 – Subject to technical modification

Part-No. 709654

USA: LUTZE INC.

13330 South Ridge Drive • Charlotte, NC 28273, USA
Tel. +1 (704) 504-0222 • Fax +1 (704) 504-0223
www.lutze.com • info@lutze.com

United Kingdom: LÜTZE Ltd.

Unit 3, Sandy Hill Park
Sandy Way, Amington • GB-Tamworth, Staffs B77 4DU
Tel. +44 (0)1827 31333-0 • Fax +44 (0)1827 31333-2
www.lutze.com • sales.gb@lutze.co.uk

Technical data sheet - Suppression Technology

| Accessories | Color | Article number | Type | PU |
|-------------------------|-------------|----------------|--------------|-----|
| Plate 4×11mm | white | 681313 | BZT-0411 | 100 |
| Protective pipes: | | | | |
| -PA | black | 271142 | CX 12 PA | 50 |
| -PVC with hard PVC coil | grey | 270401 | CF 12 EL | 30 |
| -PVC with steel braid | | 270011 | CF 13 S | 50 |
| PUR with coil | | 270411 | CF PUR 12 EL | 22 |
| Designation sleeve | transparent | 499995 | | 500 |
| Plate 4×23mm for 499995 | | 499988 | | 200 |

Comments

¹⁾ Excellent chemical and oil resistance. The material resistance must be checked based on the application for use with aggressive media!

29.01.2017 – Subject to technical modification

Part-No. 709654

USA: LUTZE INC.

13330 South Ridge Drive • Charlotte, NC 28273, USA

Tel. +1 (704) 504-0222 • Fax +1 (704) 504-0223

www.lutze.com • info@lutze.com

United Kingdom: LÜTZE Ltd.

Unit 3, Sandy Hill Park

Sandy Way, Amington • GB-Tamworth, Staffs B77 4DU

Tel. +44 (0)1827 31333-0 • Fax +44 (0)1827 31333-2

www.lutze.com • sales.gb@lutze.co.uk



SYSTEMATIC TECHNOLOGY