



<b>Identification</b>	Type	LS-CI-9666 2.5m PVC 24V
	Part-No.	709666

<b>Technical data</b>	
Function type	Suppressors for valves
Protection device	Suppressor diode
Nominal voltage	AC/DC 24 V
Current Consumption per LED	4 mA
Shut-off points	≤52 V
Rated frequency	50–60 Hz
Holding capacitance	≤ 70VA
Type of connecting lead	PVC black / PVC 3 × 0.5 mm <sup>2</sup>
Length of connecting lead (M)	2.5 M
Connecting lead	∅ 4.8 ± 0.15 mm

<b>General</b>	
Form	Construction CI, contact clearance 9.4 mm (industry)
Status indication LED	LED yellow
Coil Current max.	≤3 A
Conductor marking	color-coded conductors
Housing material	TPU transparent <sup>1)</sup>
Protection class	IP 67
Field installation	Breakaway torque 0.4 Nm Direct assembly with protective conduit is possible.

29.01.2017 – Subject to technical modification

Part-No. 709666

USA: LUTZE INC.

13330 South Ridge Drive • Charlotte, NC 28273, USA  
Tel. +1 (704) 504-0222 • Fax +1 (704) 504-0223  
www.lutze.com • info@lutze.com

United Kingdom: LÜTZE Ltd.

Unit 3, Sandy Hill Park  
Sandy Way, Amington • GB-Tamworth, Staffs B77 4DU  
Tel. +44 (0)1827 31333-0 • Fax +44 (0)1827 31333-2  
www.lutze.com • sales.gb@lutze.co.uk

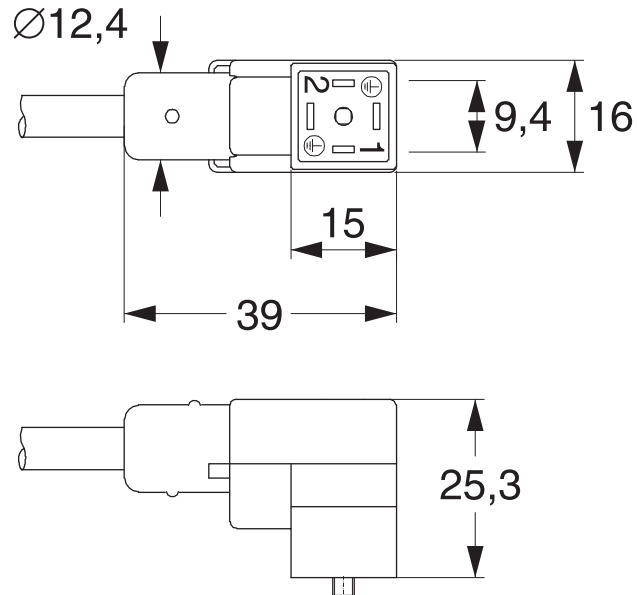


SYSTEMATIC TECHNOLOGY

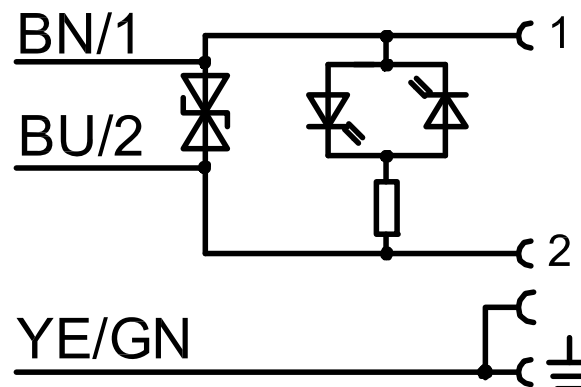
## Technical data sheet · Suppression Technology

Operation temperature range	Male: -25°C – 90°C, cable: fixed -30°C– 80°C, moving -5°C – 70°C
Storage temperature range	-40 °C ... 90 °C
Dimensions (w × h × d)	16.0 × 25.3 × 39.0 mm
Weight (kg/piece)	0.120

### Dimensions



### PIN assignment



### Accessories

29.01.2017 – Subject to technical modification

Part-No. 709666

USA: LUTZE INC.

13330 South Ridge Drive • Charlotte, NC 28273, USA  
Tel. +1 (704) 504-0222 • Fax +1 (704) 504-0223  
www.lutze.com • info@lutze.com

United Kingdom: LÜTZE Ltd.

Unit 3, Sandy Hill Park  
Sandy Way, Amington • GB-Tamworth, Staffs B77 4DU  
Tel. +44 (0)1827 31333-0 • Fax +44 (0)1827 31333-2  
www.lutze.com • sales.gb@lutze.co.uk



SYSTEMATIC TECHNOLOGY

## Technical data sheet - Suppression Technology

---

Accessories	Color	Article number	Type	PU
Plate 4×11mm	white	681313	BZT-0411	100
Protective pipes:				
-PA	black	271142	CX 12 PA	50
-PVC with hard PVC coil	grey	270401	CF 12 EL	30
-PVC with steel braid		270011	CF 13 S	50
PUR with coil		270411	CF PUR 12 EL	22
Designation sleeve	transparent	499995		500
Plate 4×23mm for 499995		499988		200

---

### Comments

<sup>1)</sup> Excellent chemical and oil resistance. The material resistance must be checked based on the application for use with aggressive media!

29.01.2017 – Subject to technical modification

Part-No. 709666

USA: LUTZE INC.

13330 South Ridge Drive • Charlotte, NC 28273, USA

Tel. +1 (704) 504-0222 • Fax +1 (704) 504-0223

www.lutze.com • info@lutze.com

United Kingdom: LÜTZE Ltd.

Unit 3, Sandy Hill Park

Sandy Way, Amington • GB-Tamworth, Staffs B77 4DU

Tel. +44 (0)1827 31333-0 • Fax +44 (0)1827 31333-2

www.lutze.com • sales.gb@lutze.co.uk



SYSTEMATIC TECHNOLOGY