



| | | |
|-----------------------|----------|----------------------------|
| Identification | Type | LER-A-9709 2,5m PUR DC 24V |
| | Part-No. | 709709.0250 |

| | |
|-------------------------------|-----------------------------------|
| Technical data | |
| Function type | Energy reducer |
| Protection device | Free-wheeling diode |
| Nominal voltage | DC 24 V |
| Current Consumption per LED | 24 mA |
| Shut-off points | ≤1 V |
| Switching frequency | max. 2 Hz |
| Holding capacitance | Reduction factor approx. 50 % |
| Type of connecting lead | PUR black 3 × 0.5 mm ² |
| Length of connecting lead (M) | 2.5 M |
| Connecting lead | ∅ 5.0 ± 0.15 mm |

| | |
|-----------------------------|---|
| General | |
| Form | Construction A, contact clearance 18 mm |
| Status indication LED | LED yellow |
| Housing material | TPU transparent ¹⁾ |
| Protection class | IP 67 |
| Field installation | Breakaway torque 0.4 Nm Direct assembly with protective conduit is possible. |
| Operation temperature range | Male: -25 °C – 60 °C, cable: fixed -40 °C– 80 °C, moving -20 °C – 80 °C |
| Storage temperature range | -40 °C ... 90 °C |

29.01.2017 – Subject to technical modification

Part-No. 709709.0250

USA: LUTZE INC.
13330 South Ridge Drive • Charlotte, NC 28273, USA
Tel. +1 (704) 504-0222 • Fax +1 (704) 504-0223
www.lutze.com • info@lutze.com

United Kingdom: LÜTZE Ltd.
Unit 3, Sandy Hill Park
Sandy Way, Amington • GB-Tamworth, Staffs B77 4DU
Tel. +44 (0)1827 31333-0 • Fax +44 (0)1827 31333-2
www.lutze.com • sales.gb@lutze.co.uk

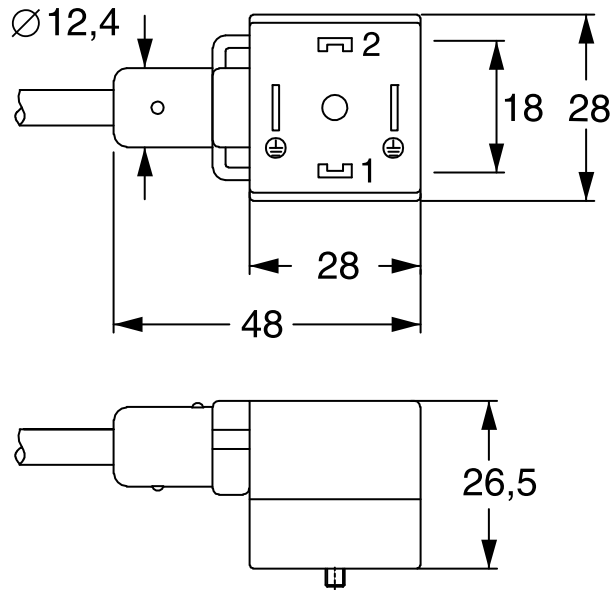


SYSTEMATIC TECHNOLOGY

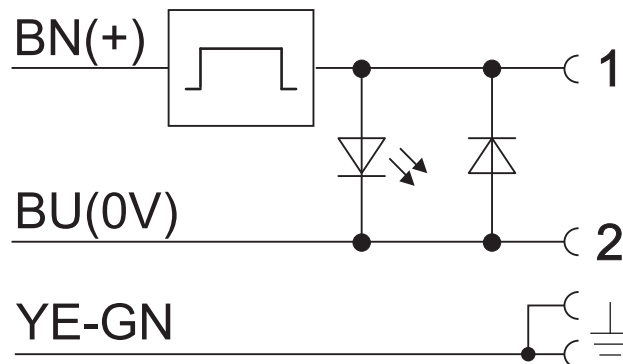
Technical data sheet · Suppression Technology

| | |
|------------------------|--------------------------------------|
| Dimensions (w × h × d) | 22.0 × 26.5 × 50.0 mm |
| Weight (kg/piece) | 0.130 |
| Standards | EN 175301-803 (DIN 43 650), ISO 4400 |

Dimensions



PIN assignment



Accessories

29.01.2017 – Subject to technical modification

Part-No. 709709.0250

USA: LUTZE INC.

13330 South Ridge Drive · Charlotte, NC 28273, USA
Tel. +1 (704) 504-0222 · Fax +1 (704) 504-0223
www.lutze.com · info@lutze.com

United Kingdom: LÜTZE Ltd.

Unit 3, Sandy Hill Park
Sandy Way, Amington · GB-Tamworth, Staffs B77 4DU
Tel. +44 (0)1827 31333-0 · Fax +44 (0)1827 31333-2
www.lutze.com · sales.gb@lutze.co.uk

Technical data sheet - Suppression Technology

| Accessories | Color | Article number | Type | PU |
|-------------------------------|-------------|----------------|--------------|-----|
| Tag holder 7×20 mm | white | 760968 | BZT-0720 | 100 |
| Protective pipes: | | | | |
| -PA | black | 271142 | CX 12 PA | 50 |
| -PVC with hard PVC coil | grey | 270401 | CF 12 EL | 30 |
| -PVC with steel braid | | 270011 | CF 13 S | 50 |
| PUR with coil | | 270411 | CF PUR 12 EL | 22 |
| Designation sleeve | transparent | 499995 | | 500 |
| Tag holder 4×23 mm for 499995 | | 499988 | | 200 |

Comments

¹⁾ Excellent chemical and oil resistance. The material resistance must be checked based on the application for use with aggressive media!

29.01.2017 – Subject to technical modification

Part-No. 709709.0250

USA: LUTZE INC.

13330 South Ridge Drive • Charlotte, NC 28273, USA

Tel. +1 (704) 504-0222 • Fax +1 (704) 504-0223

www.lutze.com • info@lutze.com

United Kingdom: LÜTZE Ltd.

Unit 3, Sandy Hill Park

Sandy Way, Amington • GB-Tamworth, Staffs B77 4DU

Tel. +44 (0)1827 31333-0 • Fax +44 (0)1827 31333-2

www.lutze.com • sales.gb@lutze.co.uk



SYSTEMATIC TECHNOLOGY