



<b>Identification</b>	Type	LVER-A-9792 10m PUR DC 24V
	Part-No.	709792
<b>Technical data</b>		
Function type	Switching amplifier	
Protection device	Suppressor diode	
Nominal voltage	DC 24 V	
Nominal voltage range	19.2 V – 30 V	
Current Consumption per LED	2.4 mA	
Shut-off points	≤52 V	
Control voltage	In: 9 V–30 V Out: 0 V–5 V	
Switching frequency	max. 20 Hz	
Switch-on delay	<100 μs	
Switch-off delay	<200 μs	
Holding capacitance	100 VA	
Type of connecting lead	PUR black / PVC 4 x 0.75 mm <sup>2</sup>	
Length of connecting lead (M)	10 M	
Connecting lead	∅ 5.8 ± 0.15 mm	
Short-circuit protection	yes	
<b>General</b>		
Form	Construction A, contact clearance 18 mm	
Status indication LED	LED yellow	

29.01.2017 – Subject to technical modification

Part-No. 709792

USA: LUTZE INC.

13330 South Ridge Drive • Charlotte, NC 28273, USA  
Tel. +1 (704) 504-0222 • Fax +1 (704) 504-0223  
www.lutze.com • info@lutze.com

United Kingdom: LÜTZE Ltd.

Unit 3, Sandy Hill Park  
Sandy Way, Amington • GB-Tamworth, Staffs B77 4DU  
Tel. +44 (0)1827 31333-0 • Fax +44 (0)1827 31333-2  
www.lutze.com • sales.gb@lutze.co.uk

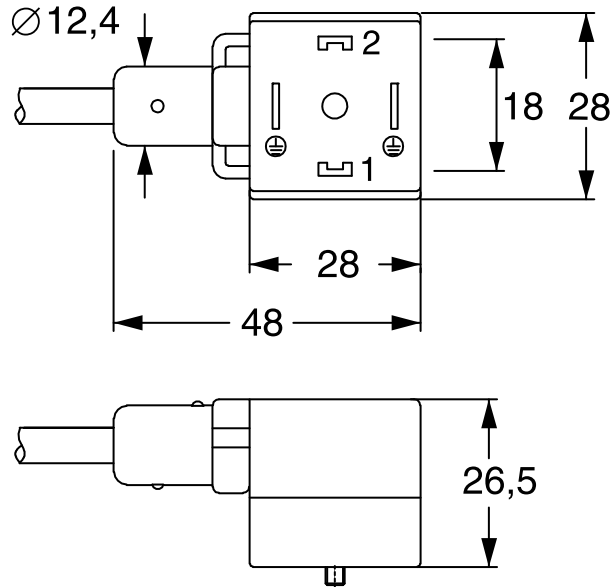


SYSTEMATIC TECHNOLOGY

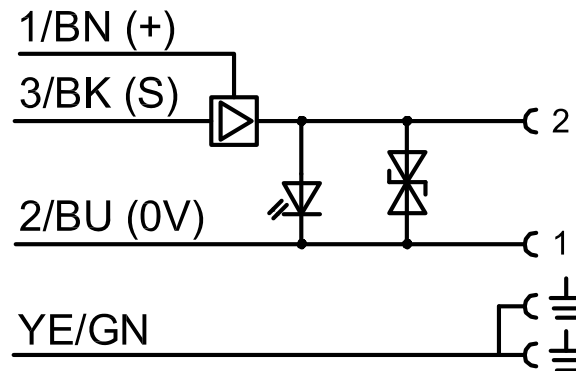
## Technical data sheet • Suppression Technology

Conductor marking	color-coded conductors
Housing material	TPU transparent <sup>1)</sup>
Protection class	IP 67
Field installation	Breakaway torque 0.4 Nm Direct assembly with protective conduit is possible.
Operation temperature range	Male: -25 °C – 90 °C, cable: fixed -40 °C– 80 °C, moving -20 °C – 80 °C
Storage temperature range	-40 °C ... 80 °C
Dimensions (w × h × d)	28.0 × 26.5 × 48.0 mm
Weight (kg/piece)	0.560
Standards	EN 175301-803 (DIN 43 650), ISO 4400

### Dimensions



### PIN assignment



### Accessories

29.01.2017 – Subject to technical modification

Part-No. 709792

USA: LUTZE INC.

13330 South Ridge Drive • Charlotte, NC 28273, USA  
Tel. +1 (704) 504-0222 • Fax +1 (704) 504-0223  
www.lutze.com • info@lutze.com

United Kingdom: LÜTZE Ltd.

Unit 3, Sandy Hill Park  
Sandy Way, Amington • GB-Tamworth, Staffs B77 4DU  
Tel. +44 (0)1827 31333-0 • Fax +44 (0)1827 31333-2  
www.lutze.com • sales.gb@lutze.co.uk

## Technical data sheet - Suppression Technology

---

Accessories	Color	Article number	Type	PU
Tag holder 7×20 mm	white	760968	BZT-0720	100
Protective pipes:				
-PA	black	271142	CX 12 PA	50
-PVC with hard PVC coil	grey	270401	CF 12 EL	30
-PVC with steel braid		270011	CF 13 S	50
-PUR with Conduflex coil		270411	CF PUR 12 EL	22
Designation sleeve	transparent	499995		500
Tag holder 4×23 mm for 499995		499988		200

---

### Comments

<sup>1)</sup> Excellent chemical and oil resistance. The material resistance must be checked based on the application for use with aggressive media.

29.01.2017 – Subject to technical modification

Part-No. 709792

USA: LUTZE INC.

13330 South Ridge Drive • Charlotte, NC 28273, USA  
Tel. +1 (704) 504-0222 • Fax +1 (704) 504-0223  
www.lutze.com • info@lutze.com

United Kingdom: LÜTZE Ltd.

Unit 3, Sandy Hill Park  
Sandy Way, Amington • GB-Tamworth, Staffs B77 4DU  
Tel. +44 (0)1827 31333-0 • Fax +44 (0)1827 31333-2  
www.lutze.com • sales.gb@lutze.co.uk



SYSTEMATIC TECHNOLOGY