



Identification	Type	RPE-1E2S/2W DC 24 V
	Part-No.	710152

Input

Nominal voltage	DC 24 V
Rated current	11.0 mA
Protection device	Free-wheeling diode
Rated insulation voltage (EN 50178)	50 V
Status Indication	LED green

Load Side

	710150	710152
Contact type	1 change over contact	2 change over contact
Min. switching current		
Max. switching current	AC/DC 6 A	AC/DC 3 A
Contact type	2 change over contact	
Max. switching voltage	AC/DC 250 V	
Max. switching current	AC/DC 3 A	
Clearance/creep. dist. (control/load side)	>5.5 mm	
Rated insulation voltage (EN 50178)	300 V	

General

20.04.2013 – Subject to technical modification

Part-No. 710152

USA: LUTZE INC.

13330 South Ridge Drive • Charlotte, NC 28273, USA
 Tel. +1 (704) 504-0222 • Fax +1 (704) 504-0223
 www.lutze.com • info@lutze.com

United Kingdom: LÜTZE Ltd.

Unit 3, Sandy Hill Park
 Sandy Way, Amington • GB-Tamworth, Staffs B77 4DU
 Tel. +44 (0)1827 31333-0 • Fax +44 (0)1827 31333-2
 www.lutze.com • sales.gb@lutze.co.uk

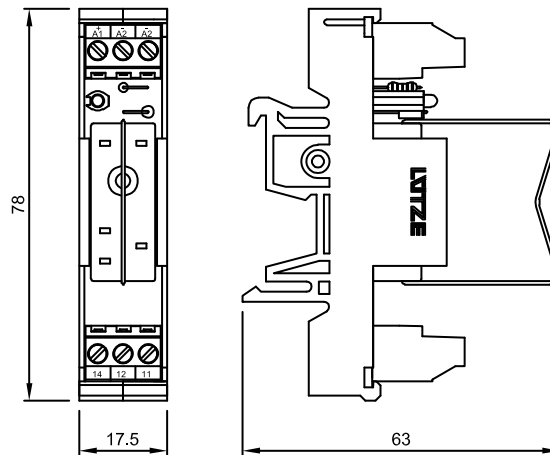


SYSTEMATIC TECHNOLOGY

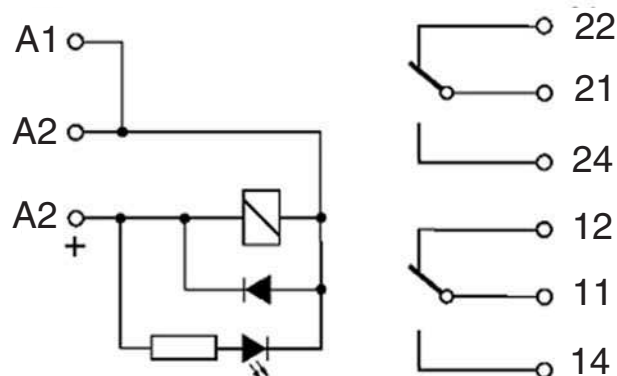
Technical data sheet - Interface Technology

Housing material	PPE
Protection class	IP 20
Field installation	rail TS 35 (EN 50022)
Insulation voltage input/output	4.0 kV _{eff}
Safe isolation	yes
Operation temperature range	-25 °C – 60 °C
Storage temperature range	-40 °C – 80 °C
Dimensions (w x h x d)	17.5x77.0x57.0 mm
Weight (kg/piece)	0.042
Termination	Screw terminal: 0.25–2.5 mm ²

Dimensions



PIN assignment



Accessories

Accessories	Colour	Article number	Type	PU
Relay for 710150		712013	LKSR-2013 DC24	25
Relay for 710152		712014	LKSR-2014 DC24	25

20.04.2013 – Subject to technical modification

Part-No. 710152

USA: LUTZE INC.

13330 South Ridge Drive • Charlotte, NC 28273, USA

Tel. +1 (704) 504-0222 • Fax +1 (704) 504-0223

www.lutze.com • info@lutze.com

United Kingdom: LÜTZE Ltd.

Unit 3, Sandy Hill Park

Sandy Way, Amington • GB-Tamworth, Staffs B77 4DU

Tel. +44 (0)1827 31333-0 • Fax +44 (0)1827 31333-2

www.lutze.com • sales.gb@lutze.co.uk



SYSTEMATIC TECHNOLOGY