



Identification	Type	RPE-2K/4W – AC/DC 230 V
	Part-No.	710720
Input		
Nominal voltage	AC/DC 230 V	
Rated frequency	50–60 Hz	
Rated insulation voltage (EN 50178)	300 V	
Load Side		
Contact type	4 change over contact	
Max. switching voltage	AC/DC 250 V	
Max. switching current	AC/DC 4 A	
Rated insulation voltage (EN 50178)	300 V	
General		
Housing material	PPE	
Protection class	IP 20	
Field installation	rail TS 35 (EN 50022)	
Insulation voltage input/output	4.0 kV _{eff}	
Safe isolation	yes	
Operation temperature range	0 °C – 70 °C	
Storage temperature range	-20 °C – 80 °C	
Dimensions (w × h × d)	50.0×77.0×57.0 mm	

20.04.2013 – Subject to technical modification

Part-No. 710720

USA: LUTZE INC.

13330 South Ridge Drive • Charlotte, NC 28273, USA
 Tel. +1 (704) 504-0222 • Fax +1 (704) 504-0223
 www.lutze.com • info@lutze.com

United Kingdom: LÜTZE Ltd.

Unit 3, Sandy Hill Park
 Sandy Way, Amington • GB-Tamworth, Staffs B77 4DU
 Tel. +44 (0)1827 31333-0 • Fax +44 (0)1827 31333-2
 www.lutze.com • sales.gb@lutze.co.uk

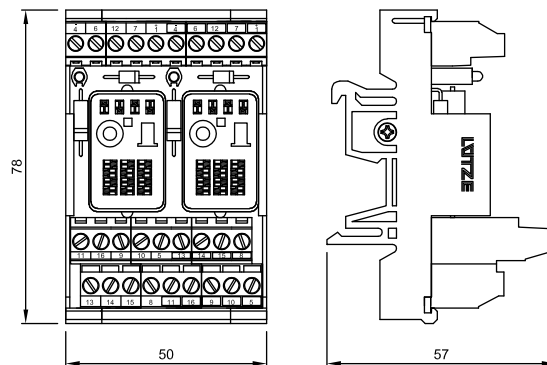


SYSTEMATIC TECHNOLOGY

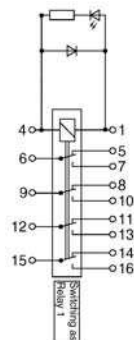
Technical data sheet - Interface Technology

Weight (kg/piece) 0.106
Termination Screw terminal: 0.08–2.5 mm²

Dimensions



PIN assignment



Accessories

Accessories	Colour	Article number	Type	PU
Relay for 710728		712003	LKSR-2003 4W DC24	10
Relay for 710724		712003	LKSR-2003 4W DC24	10
Relay for 710720, 716129		712000	LKR-2000 4W AC24	10
		712001	LKR-2001 4W DC230	10
		712003	LKSR-2003 4W DC24	10
		712004	LKR-2004 4W DC230	10
Mounting bracket relay 712000 and 712001		712002	Mounting bracket	50
Mounting bracket relay 712003 and 712004		712005	Mounting bracket	50

20.04.2013 – Subject to technical modification

Part-No. 710720

USA: LUTZE INC.

13330 South Ridge Drive • Charlotte, NC 28273, USA
Tel. +1 (704) 504-0222 • Fax +1 (704) 504-0223
www.lutze.com • info@lutze.com

United Kingdom: LÜTZE Ltd.

Unit 3, Sandy Hill Park
Sandy Way, Amington • GB-Tamworth, Staffs B77 4DU
Tel. +44 (0)1827 31333-0 • Fax +44 (0)1827 31333-2
www.lutze.com • sales.gb@lutze.co.uk



SYSTEMATIC TECHNOLOGY