



<b>Identification</b>	Type	RPE-2K/4W DC 24 V
	Part-No.	710728
<b>Input</b>		
Nominal voltage	DC 24 V	
Rated current	11.0 mA	
Protection device	Free-wheeling diode	
Rated insulation voltage (EN 50178)	50 V	
Status Indication	LED green	
<b>Load Side</b>		
Contact type	4 change over contact	
Max. switching voltage	AC/DC 250 V	
Max. switching current	AC/DC 4 A	
Rated insulation voltage (EN 50178)	300 V	
<b>General</b>		
Housing material	PPE	
Protection class	IP 20	
Field installation	rail TS 35 (EN 50022)	
Insulation voltage input/output	4.0 kV <sub>eff</sub>	
Safe isolation	yes	
Operation temperature range	0 °C – 70 °C	

20.04.2013 – Subject to technical modification

Part-No. 710728

USA: LUTZE INC.

13330 South Ridge Drive · Charlotte, NC 28273, USA  
 Tel. +1 (704) 504-0222 · Fax +1 (704) 504-0223  
 www.lutze.com · info@lutze.com

United Kingdom: LÜTZE Ltd.

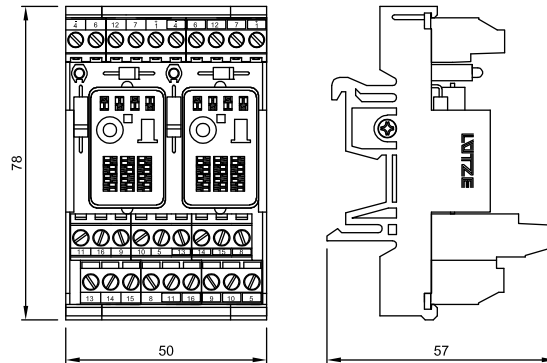
Unit 3, Sandy Hill Park  
 Sandy Way, Amington · GB-Tamworth, Staffs B77 4DU  
 Tel. +44 (0)1827 31333-0 · Fax +44 (0)1827 31333-2  
 www.lutze.com · sales.gb@lutze.co.uk



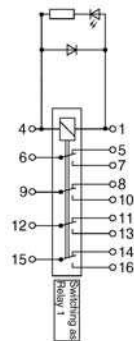
## Technical data sheet - Interface Technology

Storage temperature range	-20 °C – 80 °C
Dimensions (w × h × d)	50.0×77.0×57.0 mm
Weight (kg/piece)	0.106
Termination	Screw terminal: 0.08–2.5 mm <sup>2</sup>

### Dimensions



### PIN assignment



### Accessories

20.04.2013 – Subject to technical modification

Part-No. 710728

USA: LUTZE INC.

13330 South Ridge Drive • Charlotte, NC 28273, USA  
Tel. +1 (704) 504-0222 • Fax +1 (704) 504-0223  
www.lutze.com • info@lutze.com

United Kingdom: LÜTZE Ltd.

Unit 3, Sandy Hill Park  
Sandy Way, Amington • GB-Tamworth, Staffs B77 4DU  
Tel. +44 (0)1827 31333-0 • Fax +44 (0)1827 31333-2  
www.lutze.com • sales.gb@lutze.co.uk



## Technical data sheet - Interface Technology

---

Accessories	Colour	Article number	Type	PU
Relay for 710728		712003	LKSR-2003 4W DC24	10
Relay for 710724		712003	LKSR-2003 4W DC24	10
Relay for 710720, 716129		712000	LKR-2000 4W AC24	10
		712001	LKR-2001 4W DC230	10
		712003	LKSR-2003 4W DC24	10
		712004	LKR-2004 4W DC230	10
Mounting bracket relay 712000 and 712001		712002	Mounting bracket	50
Mounting bracket relay 712003 and 712004		712005	Mounting bracket	50

20.04.2013 – Subject to technical modification

Part-No. 710728

USA: LUTZE INC.

13330 South Ridge Drive • Charlotte, NC 28273, USA  
Tel. +1 (704) 504-0222 • Fax +1 (704) 504-0223  
www.lutze.com • info@lutze.com

United Kingdom: LÜTZE Ltd.

Unit 3, Sandy Hill Park  
Sandy Way, Amington • GB-Tamworth, Staffs B77 4DU  
Tel. +44 (0)1827 31333-0 • Fax +44 (0)1827 31333-2  
www.lutze.com • sales.gb@lutze.co.uk