



Identification	Type	RPE-1U/4W KL AC 230 V
	Part-No.	710730
Input		
Nominal voltage	AC/DC 230 V	
Rated frequency	50–60 Hz	
Rated current	11.0 mA	
Rated insulation voltage (EN 50178)	300 V	
Load Side		
Contact type	4 change over contact	
Max. switching voltage	AC/DC 250 V	
Max. switching current	AC/DC 5 A	
Rated insulation voltage (EN 50178)	300 V	
General		
Housing material	PPE	
Protection class	IP 20	
Field installation	rail TS 35 (EN 50022)	
Insulation voltage input/output	4.0 kV _{eff}	
Safe isolation	yes	
Operation temperature range	-25 °C – 60 °C	
Storage temperature range	-40 °C – 80 °C	

20.04.2013 – Subject to technical modification

Part-No. 710730

USA: LUTZE INC.

13330 South Ridge Drive • Charlotte, NC 28273, USA
 Tel. +1 (704) 504-0222 • Fax +1 (704) 504-0223
 www.lutze.com • info@lutze.com

United Kingdom: LÜTZE Ltd.

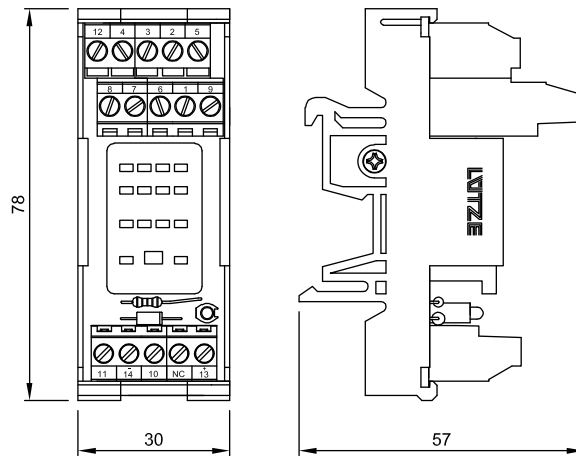
Unit 3, Sandy Hill Park
 Sandy Way, Amington • GB-Tamworth, Staffs B77 4DU
 Tel. +44 (0)1827 31333-0 • Fax +44 (0)1827 31333-2
 www.lutze.com • sales.gb@lutze.co.uk



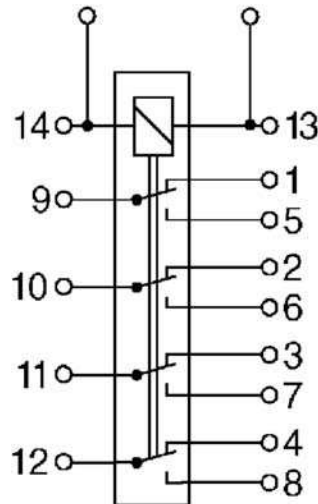
Technical data sheet - Interface Technology

Dimensions (w x h x d) 30.0x77.0x57.0 mm
 Weight (kg/piece) 0.064
 Termination Screw terminal: 0.25–2.5 mm²

Dimensions



PIN assignment



Accessories

Accessories	Colour	Article number	Type	PU
Relay for 710738		712006	LIR-2006 4W DC24	10
Relay for 710730		712008	LIR-2008 4W AC230	10
Mounting bracket		712009	Mounting bracket	10

20.04.2013 – Subject to technical modification

Part-No. 710730

USA: LUTZE INC.

13330 South Ridge Drive • Charlotte, NC 28273, USA
 Tel. +1 (704) 504-0222 • Fax +1 (704) 504-0223
 www.lutze.com • info@lutze.com

United Kingdom: LÜTZE Ltd.

Unit 3, Sandy Hill Park
 Sandy Way, Amington • GB-Tamworth, Staffs B77 4DU
 Tel. +44 (0)1827 31333-0 • Fax +44 (0)1827 31333-2
 www.lutze.com • sales.gb@lutze.co.uk



SYSTEMATIC TECHNOLOGY