



Identification	Type	RPE-1E/1W DC 24 V
	Part-No.	710751
Input		
Input voltage range	19.7 V – 30.0 V	
Nominal voltage	DC 24 V	
Rated current	32.0 mA	
Protection device	Free-wheeling diode	
Rated insulation voltage (EN 50178)	50 V	
Status Indication	LED green	
Load Side		
Contact type	1 change over contact	
Min. switching voltage	AC/DC 24 V	
Max. switching voltage	AC/DC 250 V	
Min. switching current	AC/DC 100 mA	
Max. switching current	AC/DC 10 A	
Switching capacity AC 15	3 A	
Switching capacity DC 13	at 24 V: 1 A; at 115 V: 200 mA; at 230 V: 100 mA	
Max. switching capacity	2200 VA	
Contact material	AgSnO ₂	
Mechanical service life	3 x 10 ⁷ operations	
Inrush current	15 A (4 ms)	

20.04.2013 – Subject to technical modification

Part-No. 710751

USA: LUTZE INC.

13330 South Ridge Drive • Charlotte, NC 28273, USA
 Tel. +1 (704) 504-0222 • Fax +1 (704) 504-0223
 www.lutze.com • info@lutze.com

United Kingdom: LÜTZE Ltd.

Unit 3, Sandy Hill Park
 Sandy Way, Amington • GB-Tamworth, Staffs B77 4DU
 Tel. +44 (0)1827 31333-0 • Fax +44 (0)1827 31333-2
 www.lutze.com • sales.gb@lutze.co.uk



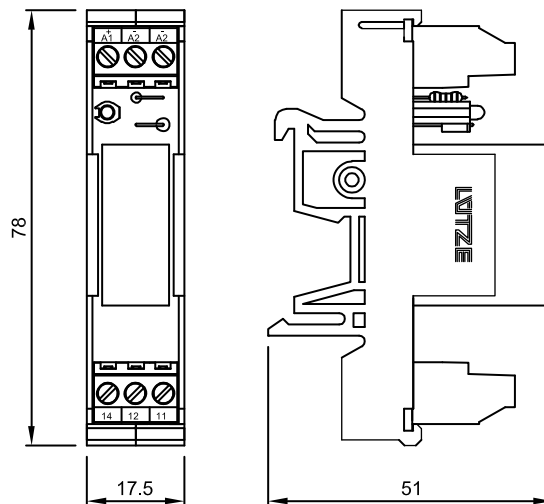
Technical data sheet - Interface Technology

Switch-on delay	10 ms
Switch-off delay	5 ms
Clearance/creep. dist. (control/load side)	8 mm
Rated insulation voltage (EN 50178)	300 V

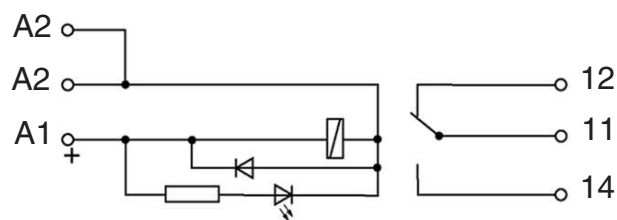
General

Housing material	PPE
Protection class	IP 20
Field installation	rail TS 35 (EN 50022)
Insulation voltage input/output	4.0 kV _{eff}
Safe isolation	yes
Operation temperature range	-25 °C – 60 °C
Storage temperature range	-40 °C – 80 °C
Dimensions (w × h × d)	17.5×77.0×57.0 mm
Weight (kg/piece)	0.048
Termination	Screw terminal: 0.25–2.5 mm ²

Dimensions



PIN assignment



20.04.2013 – Subject to technical modification

Part-No. 710751

USA: LUTZE INC.

13330 South Ridge Drive • Charlotte, NC 28273, USA
Tel. +1 (704) 504-0222 • Fax +1 (704) 504-0223
www.lutze.com • info@lutze.com

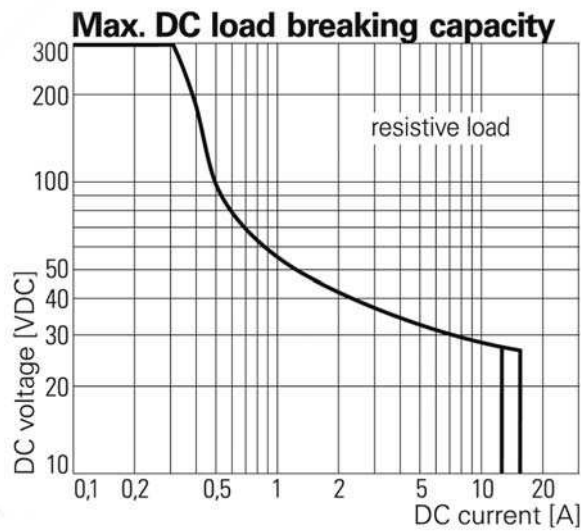
United Kingdom: LÜTZE Ltd.

Unit 3, Sandy Hill Park
Sandy Way, Amington • GB-Tamworth, Staffs B77 4DU
Tel. +44 (0)1827 31333-0 • Fax +44 (0)1827 31333-2
www.lutze.com • sales.gb@lutze.co.uk



SYSTEMATIC TECHNOLOGY

Limit curve



Accessories

Accessories	Colour	Article number	Type	PU
Identifikation unit	transparent	710799		100

20.04.2013 – Subject to technical modification

Part-No. 710751

USA: LUTZE INC.

13330 South Ridge Drive • Charlotte, NC 28273, USA
 Tel. +1 (704) 504-0222 • Fax +1 (704) 504-0223
 www.lutze.com • info@lutze.com

United Kingdom: LÜTZE Ltd.

Unit 3, Sandy Hill Park
 Sandy Way, Amington • GB-Tamworth, Staffs B77 4DU
 Tel. +44 (0)1827 31333-0 • Fax +44 (0)1827 31333-2
 www.lutze.com • sales.gb@lutze.co.uk



SYSTEMATIC TECHNOLOGY