



<b>Identification</b>	Type	RPE-1E2S/2W DC 24 V
	Part-No.	710763
<b>Input</b>		
Input voltage range	19.2 V – 30.0 V	
Nominal voltage	DC 24 V	
Rated current	32.0 mA	
Interrupting voltage	<2.4 V	
Protection device	Free-wheeling diode	
Rated insulation voltage (EN 50178)	50 V	
Status Indication	LED green	
<b>Load Side</b>		
Contact type	2 change over contact	
Min. switching voltage	AC/DC 1 V	
Max. switching voltage	AC/DC 250 V	
Min. switching current	AC/DC 1 mA	
Max. switching current	AC/DC 5 A	
Switching capacity AC 15	3 A	
Switching capacity DC 13	at 24 V: 1 A, at 115 V: 200 mA, at 230 V: 100 mA	
Max. switching capacity	1250 VA	
Contact material	AgNi	
Mechanical service life	2 x 10 <sup>7</sup> operations	

20.04.2013 – Subject to technical modification

Part-No. 710763

USA: LUTZE INC.

13330 South Ridge Drive · Charlotte, NC 28273, USA  
 Tel. +1 (704) 504-0222 · Fax +1 (704) 504-0223  
 www.lutze.com · info@lutze.com

United Kingdom: LÜTZE Ltd.

Unit 3, Sandy Hill Park  
 Sandy Way, Amington · GB-Tamworth, Staffs B77 4DU  
 Tel. +44 (0)1827 31333-0 · Fax +44 (0)1827 31333-2  
 www.lutze.com · sales.gb@lutze.co.uk



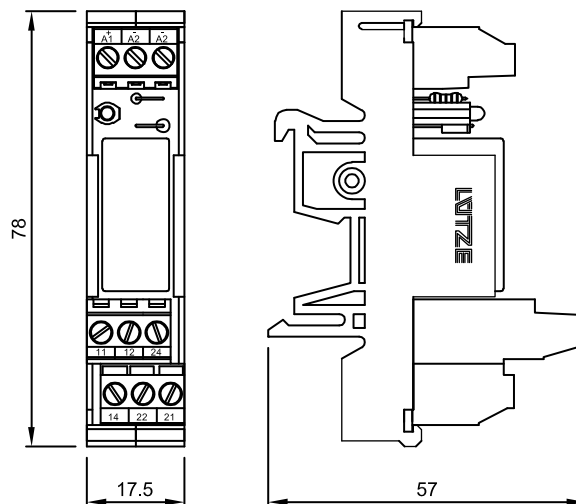
## Technical data sheet - Interface Technology

Inrush current	7 A
Switch-on delay	8 ms
Switch-off delay	3 ms
Rated insulation voltage (EN 50178)	300 V

### General

Housing material	PPE
Protection class	IP 20
Field installation	rail TS 35 (EN 50022)
Insulation voltage input/output	4.0 kV <sub>eff</sub>
Operation temperature range	-25 °C – 60 °C
Storage temperature range	-40 °C – 80 °C
Dimensions (w × h × d)	17.5×77.0×57.0 mm
Weight (kg/piece)	0.056
Termination	Screw terminal: 0.25–2.5 mm <sup>2</sup>

### Dimensions



20.04.2013 – Subject to technical modification

Part-No. 710763

USA: LUTZE INC.

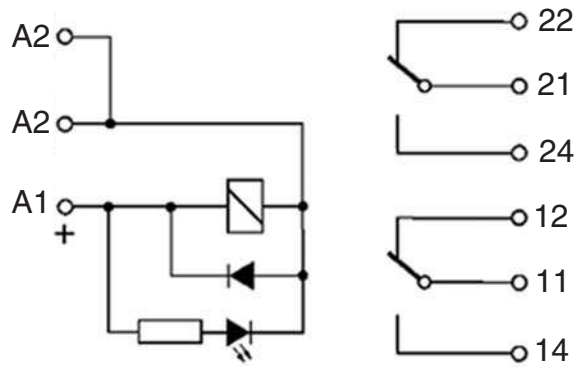
13330 South Ridge Drive • Charlotte, NC 28273, USA  
Tel. +1 (704) 504-0222 • Fax +1 (704) 504-0223  
www.lutze.com • info@lutze.com

United Kingdom: LÜTZE Ltd.

Unit 3, Sandy Hill Park  
Sandy Way, Amington • GB-Tamworth, Staffs B77 4DU  
Tel. +44 (0)1827 31333-0 • Fax +44 (0)1827 31333-2  
www.lutze.com • sales.gb@lutze.co.uk



**PIN assignment**



**Comments**

Hard gold-plated contacts: So that the gold layer is not damaged, the specified values are not permitted to be exceeded. At higher switching capacity, the gold layer vaporizes. The deposition in the housing can lead to sparkovers between the coil and contact.

**Description**

**description:**  
Output module with 2 SPDTs, plug-in relay

20.04.2013 – Subject to technical modification

Part-No. 710763

USA: LUTZE INC.

13330 South Ridge Drive · Charlotte, NC 28273, USA  
Tel. +1 (704) 504-0222 · Fax +1 (704) 504-0223  
www.lutze.com · info@lutze.com

United Kingdom: LÜTZE Ltd.

Unit 3, Sandy Hill Park  
Sandy Way, Amington · GB-Tamworth, Staffs B77 4DU  
Tel. +44 (0)1827 31333-0 · Fax +44 (0)1827 31333-2  
www.lutze.com · sales.gb@lutze.co.uk



SYSTEMATIC TECHNOLOGY