

Identification	Type	DGE-22P-0808
	Part-No.	710808

Technical data	
Function type	Diode gate
Nominal voltage	AC/DC 250 V
Rated current (at U_N)	1 A
Rated insulation voltage (EN 50178)	300 V
Pollution degree	2
Overvoltage category	I

General	
Housing material	PPE
Protection class	IP 00
Field installation	rail TS 35 (EN 50022)
Operation temperature range	-20 °C – 60 °C
Storage temperature range	-40 °C – 80 °C
Dimensions (w × h × d)	45.0×77.0×57.0 mm
Weight (kg/piece)	0.092
Termination	Screw terminal 0.5–2.5 mm ²

20.04.2013 – Subject to technical modification

Part-No. 710808

USA: LUTZE INC.

13330 South Ridge Drive • Charlotte, NC 28273, USA
 Tel. +1 (704) 504-0222 • Fax +1 (704) 504-0223
 www.lutze.com • info@lutze.com

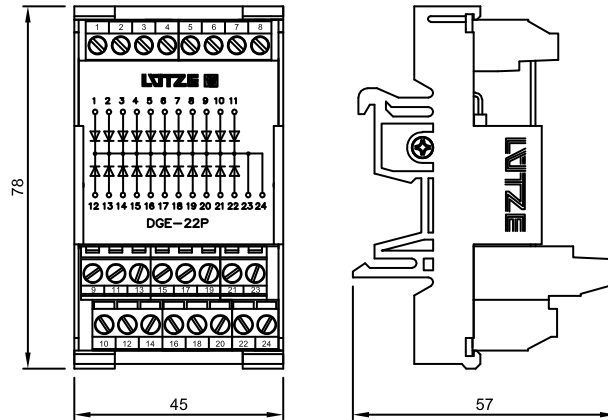
United Kingdom: LÜTZE Ltd.

Unit 3, Sandy Hill Park
 Sandy Way, Amington • GB-Tamworth, Staffs B77 4DU
 Tel. +44 (0)1827 31333-0 • Fax +44 (0)1827 31333-2
 www.lutze.com • sales.gb@lutze.co.uk

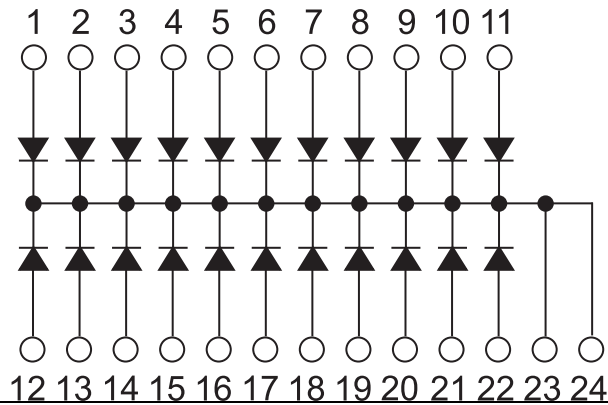


Technical data sheet · Function module

Dimensions



PIN assignment



Accessories

Accessories	Colour	Article number	Description
Identification unit	710799		100

20.04.2013 – Subject to technical modification

Part-No. 710808

USA: LUTZE INC.

13330 South Ridge Drive · Charlotte, NC 28273, USA

Tel. +1 (704) 504-0222 · Fax +1 (704) 504-0223

www.lutze.com · info@lutze.com

United Kingdom: LÜTZE Ltd.

Unit 3, Sandy Hill Park

Sandy Way, Amington · GB-Tamworth, Staffs B77 4DU

Tel. +44 (0)1827 31333-0 · Fax +44 (0)1827 31333-2

www.lutze.com · sales.gb@lutze.co.uk



SYSTEMATIC TECHNOLOGY