



<b>Identification</b>	Type	DGE-22M-0812
	Part-No.	710812
<b>Description</b>	Diode module with common reference point common cathode / anode Screw terminal	
<b>Input</b>	Rated insulation voltage (EN 50178) 300 V	
<b>General</b>	Dimensions (w x h x d) 45.0 x 77.0 x 57.0 mm	
	Design Varioprint	
	Weight 0.092 kg/piece	

25.08.2017 – Subject to technical modification

Part-No. 710812

USA: LUTZE INC.

13330 South Ridge Drive • Charlotte, NC 28273, USA  
Tel. +1 (704) 504-0222 • Fax +1 (704) 504-0223  
www.lutze.com • info@lutze.com

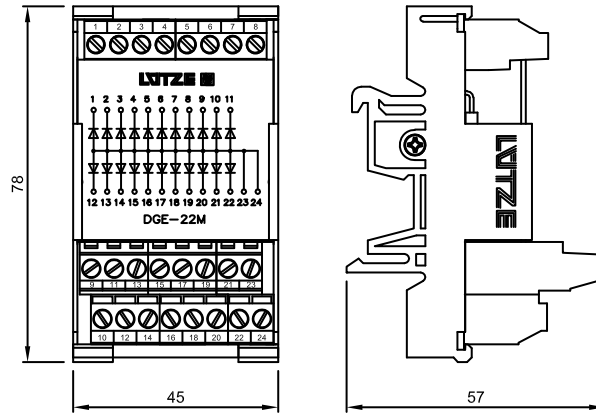
United Kingdom: LÜTZE Ltd.

Unit 3, Sandy Hill Park  
Sandy Way, Amington • GB-Tamworth, Staffs B77 4DU  
Tel. +44 (0)1827 31333-0 • Fax +44 (0)1827 31333-2  
www.lutze.com • sales.gb@lutze.co.uk

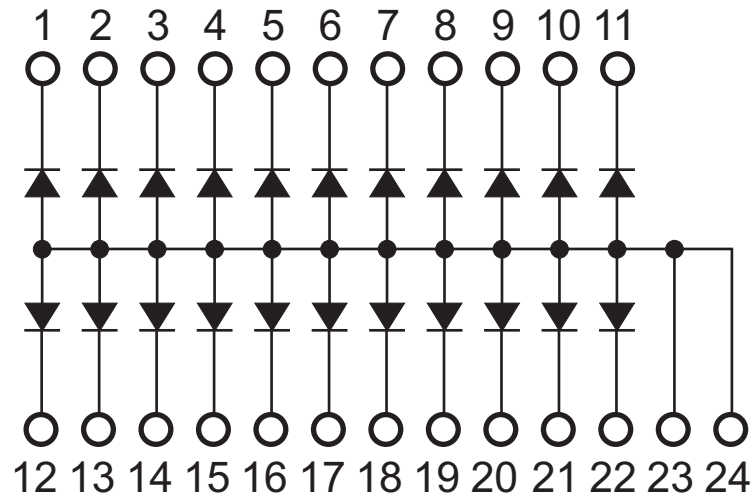


# Technical data sheet • Function module

## Dimensions



## PIN assignment



25.08.2017 – Subject to technical modification

Part-No. 710812

USA: LUTZE INC.

13330 South Ridge Drive • Charlotte, NC 28273, USA

Tel. +1 (704) 504-0222 • Fax +1 (704) 504-0223

www.lutze.com • info@lutze.com

United Kingdom: LÜTZE Ltd.

Unit 3, Sandy Hill Park

Sandy Way, Amington • GB-Tamworth, Staffs B77 4DU

Tel. +44 (0)1827 31333-0 • Fax +44 (0)1827 31333-2

www.lutze.com • sales.gb@lutze.co.uk



SYSTEMATIC TECHNOLOGY