



<b>Identification</b>	Type	LAE-8-0817
	Part-No.	710817

<b>Technical data</b>	
Function type	Display module
Diameter of mounting hole	3
Nominal voltage	DC 24 V
Rated current (at $U_N$ )	0.01 A
Rated insulation voltage (EN 50178)	50 V
Pollution degree	2
Overvoltage category	I

<b>General</b>	
Housing material	PPE
Protection class	IP 00
Field installation	rail TS 35 (EN 50022)
Operation temperature range	-25 °C – 60 °C
Storage temperature range	-40 °C – 80 °C
Dimensions (w × h × d)	25.0×77.0×57.0 mm
Weight (kg/piece)	0.048
Termination	Screw terminal 0.5–2.5 mm <sup>2</sup>

20.04.2013 – Subject to technical modification

Part-No. 710817

USA: LUTZE INC.

13330 South Ridge Drive · Charlotte, NC 28273, USA  
 Tel. +1 (704) 504-0222 · Fax +1 (704) 504-0223  
 www.lutze.com · info@lutze.com

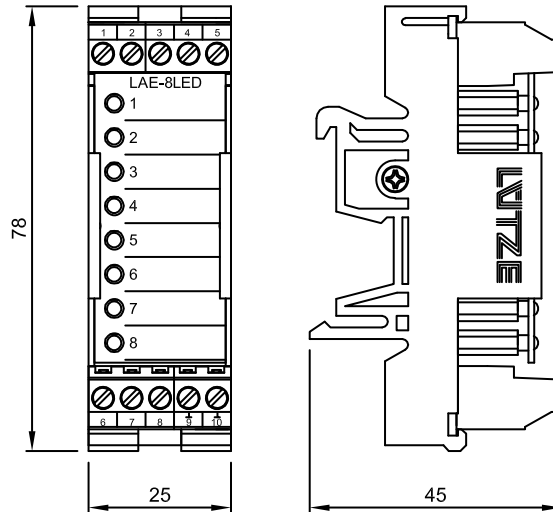
United Kingdom: LÜTZE Ltd.

Unit 3, Sandy Hill Park  
 Sandy Way, Amington · GB-Tamworth, Staffs B77 4DU  
 Tel. +44 (0)1827 31333-0 · Fax +44 (0)1827 31333-2  
 www.lutze.com · sales.gb@lutze.co.uk

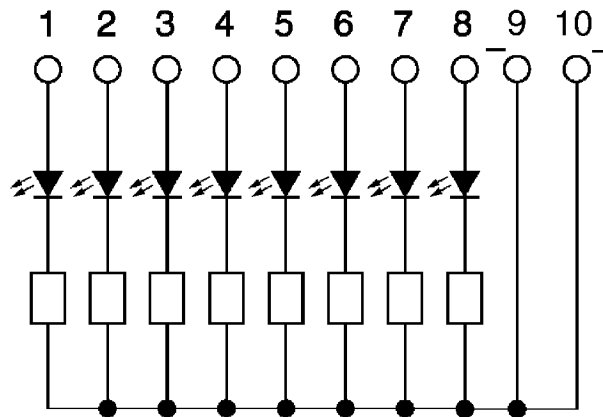


# Technical data sheet · Function module

## Dimensions



## PIN assignment



## Accessories

Accessories	Colour	Article number	Description
Identification unit	710799		100

20.04.2013 – Subject to technical modification

Part-No. 710817

USA: LUTZE INC.

13330 South Ridge Drive · Charlotte, NC 28273, USA  
 Tel. +1 (704) 504-0222 · Fax +1 (704) 504-0223  
 www.lutze.com · info@lutze.com

United Kingdom: LÜTZE Ltd.

Unit 3, Sandy Hill Park  
 Sandy Way, Amington · GB-Tamworth, Staffs B77 4DU  
 Tel. +44 (0)1827 31333-0 · Fax +44 (0)1827 31333-2  
 www.lutze.com · sales.gb@lutze.co.uk



SYSTEMATIC TECHNOLOGY