



|                                     |  |                |
|-------------------------------------|--|----------------|
| <b>Identification</b>               | Type   | RPE-1E2/2W htv |
|                                     | Part-No.   | 711755         |
| <b>Input</b>                        |  |                |
| Input voltage range                 | 19.2 V – 30.0 V                                  |                |
| Nominal voltage                     | DC 24 V HV                                       |                |
| Rated current                       | 32.0 mA  |                |
| Interrupting voltage                | <2.4 V   |                |
| Protection device                   | Free-wheeling diode                              |                |
| Rated insulation voltage (EN 50178) | 50 V   |                |
| Status Indication                   | LED green  |                |
| <b>Load Side</b>                    |  |                |
| Contact type                        | 2 change over contact                            |                |
| Min. switching voltage              | AC/DC 1 V  |                |
| Max. switching voltage              | AC/DC 250 V                                      |                |
| Min. switching current              | AC/DC 1 mA                                       |                |
| Max. switching current              | AC/DC 5 A  |                |
| Switching capacity AC 15            | 3 A  |                |
| Switching capacity DC 13            | at 24 V: 1 A, at 115 V: 200 mA, at 230 V: 100 mA |                |
| Max. switching capacity             | 1250 VA  |                |
| Contact material                    | AgNi + 0.15 µm HV                                |                |
| Mechanical service life             | 2 x 10 <sup>7</sup> operations                   |                |

02.04.2016 – Subject to technical modification

Part-No. 711755

USA: LUTZE INC.

13330 South Ridge Drive · Charlotte, NC 28273, USA  
 Tel. +1 (704) 504-0222 · Fax +1 (704) 504-0223  
 www.lutze.com · info@lutze.com

United Kingdom: LUTZE Ltd.

Unit 3, Sandy Hill Park  
 Sandy Way, Amington · GB-Tamworth, Staffs B77 4DU  
 Tel. +44 (0)1827 31333-0 · Fax +44 (0)1827 31333-2  
 www.lutze.com · sales.gb@lutze.co.uk



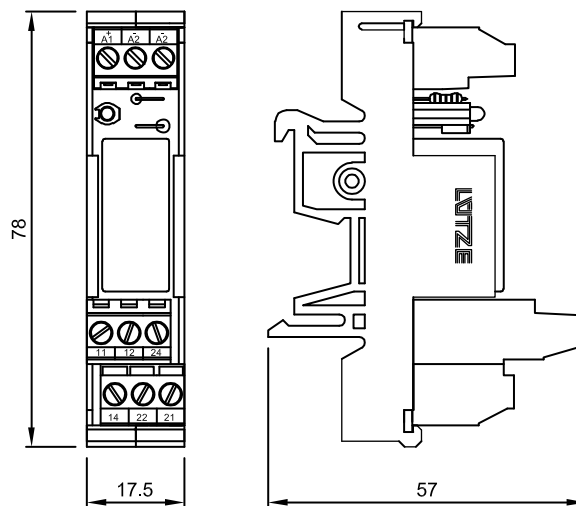
## Technical data sheet · Interface Technology

|  |             |
|--|-------------|
| Inrush current                         | 15 A (4 ms) |
| Switch-on delay                        | 10 ms       |
| Switch-off delay                       | 5 ms        |
| Rated insulation voltage<br>(EN 50178) | 300 V       |

### General

|                                 |  |
|---------------------------------|--|
| Housing material                | PPE                                      |
| Protection class                | IP 20                                    |
| Field installation              | rail TS 35 (EN 50022)                    |
| Insulation voltage input/output | 4.0 kV <sub>eff</sub>                    |
| Operation temperature range     | -25 °C – 60 °C                           |
| Storage temperature range       | -40 °C – 80 °C                           |
| Dimensions (w × h × d)          | 17.5 × 77.0 × 57.0 mm                    |
| Weight (kg/piece)               | 0.056                                    |
| Termination                     | Screw terminal: 0.25–2.5 mm <sup>2</sup> |

### Dimensions



02.04.2016 – Subject to technical modification

Part-No. 711755

USA: LUTZE INC.

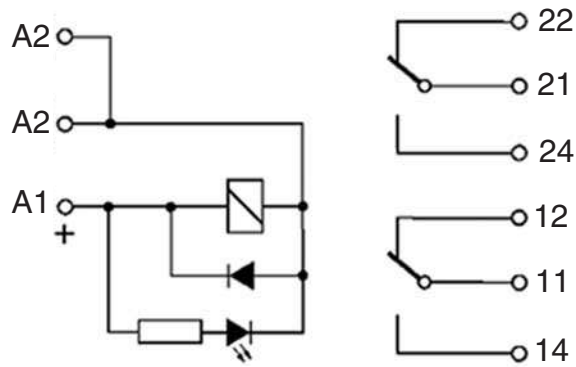
13330 South Ridge Drive · Charlotte, NC 28273, USA  
Tel. +1 (704) 504-0222 · Fax +1 (704) 504-0223  
www.lutze.com · info@lutze.com

United Kingdom: LUTZE Ltd.

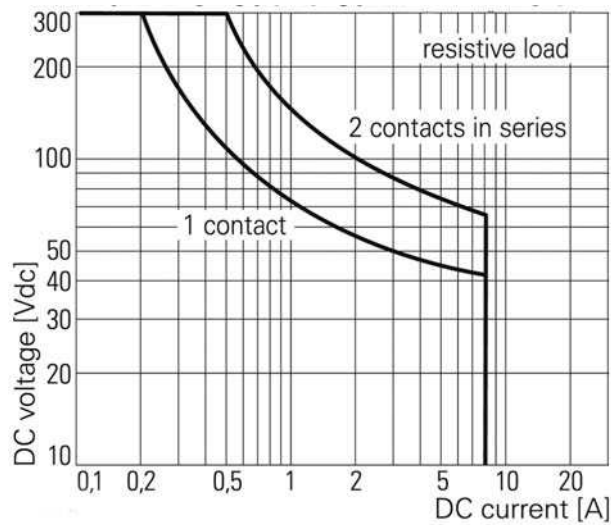
Unit 3, Sandy Hill Park  
Sandy Way, Amington · GB-Tamworth, Staffs B77 4DU  
Tel. +44 (0)1827 31333-0 · Fax +44 (0)1827 31333-2  
www.lutze.com · sales.gb@lutze.co.uk



**PIN assignment**



**Limit curve**



**Comments**

Hard gold-plated contacts: So that the gold layer is not damaged, the specified values are not permitted to be exceeded. At higher switching capacity, the gold layer vaporizes. The deposition in the housing can lead to sparkovers between the coil and contact.

02.04.2016 – Subject to technical modification

Part-No. 711755

USA: LUTZE INC.

13330 South Ridge Drive • Charlotte, NC 28273, USA  
 Tel. +1 (704) 504-0222 • Fax +1 (704) 504-0223  
 www.lutze.com • info@lutze.com

United Kingdom: LUTZE Ltd.

Unit 3, Sandy Hill Park  
 Sandy Way, Amington • GB-Tamworth, Staffs B77 4DU  
 Tel. +44 (0)1827 31333-0 • Fax +44 (0)1827 31333-2  
 www.lutze.com • sales.gb@lutze.co.uk



SYSTEMATIC TECHNOLOGY