

Identification	Type	LKSR-2013 DC 24 V
	Part-No.	712013
Input		
Nominal voltage	DC 24 V	
Power consumption	DC: 0.6W	
Interrupting voltage	DC: >0.1 Un	
Output		
Min. switching voltage	AC/DC 17 V	
Max. switching voltage	AC/DC 250 V	
Min. switching current	AC/DC 5mA	
Max. switching current	10A	
Switching capacity AC 15	3A	
Switching capacity DC 13	24V: 1A, 115V: 200mA, 230V: 100mA	
Max. switching capacity	2500 VA	
Mechanical service life	>3 × 10 ⁷ operations	
Switch-on delay	10 ms	
Switch-off delay	5 ms	
Clearance/creep. dist. (control/load side)	Clearance distance: > 8 mm; creepage distance: > 8mm	
Overvoltage category	III	
Pollution degree	3	

20.04.2013 – Subject to technical modification

Part-No. 712013

USA: LUTZE INC.

13330 South Ridge Drive • Charlotte, NC 28273, USA
 Tel. +1 (704) 504-0222 • Fax +1 (704) 504-0223
 www.lutze.com • info@lutze.com

United Kingdom: LÜTZE Ltd.

Unit 3, Sandy Hill Park
 Sandy Way, Amington • GB-Tamworth, Staffs B77 4DU
 Tel. +44 (0)1827 31333-0 • Fax +44 (0)1827 31333-2
 www.lutze.com • sales.gb@lutze.co.uk



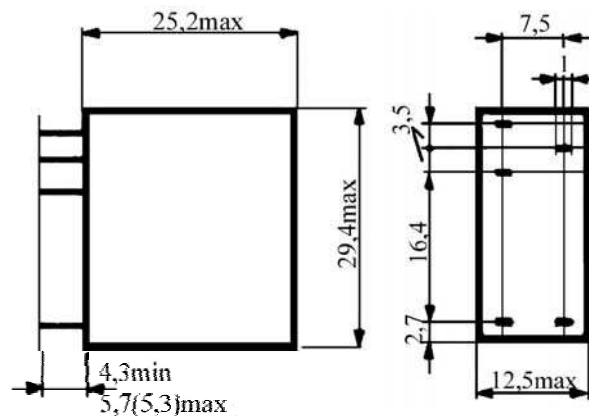
SYSTEMATIC TECHNOLOGY

Technical data sheet - Accessories

General

Contact type	1 change over contact
Rated insulation voltage (EN 50178)	AC 250 V
Contact material	AgSnO ₂
Protection class	IP 40
Protection class	RTIII - wash-tight
Shock resistance	5 g
Vibration resistance	6g, 10...150Hz
Safe isolation	yes
Operation temperature range	-25 °C – 60 °C
Storage temperature range	-40 °C – 80 °C
Dimensions (w × h × d)	12.5×29.4×25.5 mm
Weight (kg/piece)	0.015
Approvals	VDE; cULus
Termination	plug-in

Dimensions



20.04.2013 – Subject to technical modification

Part-No. 712013

USA: LUTZE INC.

13330 South Ridge Drive • Charlotte, NC 28273, USA
Tel. +1 (704) 504-0222 • Fax +1 (704) 504-0223
www.lutze.com • info@lutze.com

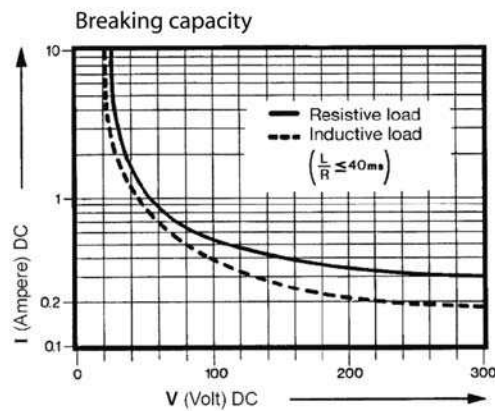
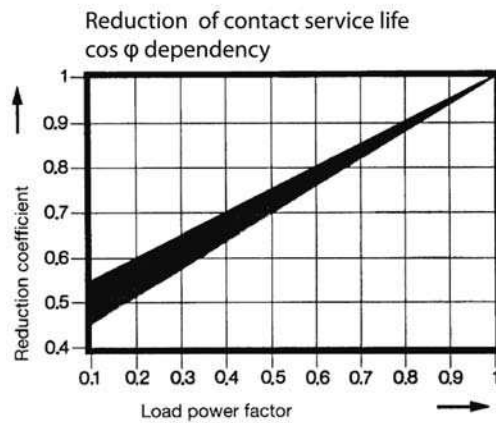
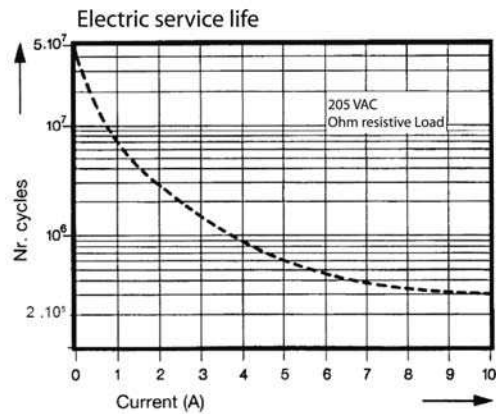
United Kingdom: LÜTZE Ltd.

Unit 3, Sandy Hill Park
Sandy Way, Amington • GB-Tamworth, Staffs B77 4DU
Tel. +44 (0)1827 31333-0 • Fax +44 (0)1827 31333-2
www.lutze.com • sales.gb@lutze.co.uk



SYSTEMATIC TECHNOLOGY

Limit curve



20.04.2013 – Subject to technical modification

Part-No. 712013

USA: LUTZE INC.

13330 South Ridge Drive • Charlotte, NC 28273, USA

Tel. +1 (704) 504-0222 • Fax +1 (704) 504-0223

www.lutze.com • info@lutze.com

United Kingdom: LÜTZE Ltd.

Unit 3, Sandy Hill Park

Sandy Way, Amington • GB-Tamworth, Staffs B77 4DU

Tel. +44 (0)1827 31333-0 • Fax +44 (0)1827 31333-2

www.lutze.com • sales.gb@lutze.co.uk



SYSTEMATIC TECHNOLOGY