



Identification	Type	OTE-6051 DC 24 V
	Part-No.	716051
Input		
Input voltage range	15.0 V – 32.0 V	
Rated current	12.0 mA	
Interrupting voltage	1 V	
Rated frequency	50–60 Hz	
Load Side		
Min. switching voltage	AC 48 V	
Max. switching voltage	AC 380 V	
Min. switching current	AC 100 mA	
Max. switching current	AC 5 A (Derating)	
Inrush current	AC 250 A (10 ms)	
Leakage current	<0.1 mA	
Switch-on delay	10 ms	
Switch-off delay	10 ms	
Switching frequency	<20 Hz	
General		
Housing material	PPE	
Protection class	IP 20	

03.09.2015 – Subject to technical modification

Part-No. 716051

USA: LUTZE INC.

13330 South Ridge Drive • Charlotte, NC 28273, USA
 Tel. +1 (704) 504-0222 • Fax +1 (704) 504-0223
 www.lutze.com • info@lutze.com

United Kingdom: LÜTZE Ltd.

Unit 3, Sandy Hill Park
 Sandy Way, Amington • GB-Tamworth, Staffs B77 4DU
 Tel. +44 (0)1827 31333-0 • Fax +44 (0)1827 31333-2
 www.lutze.com • sales.gb@lutze.co.uk

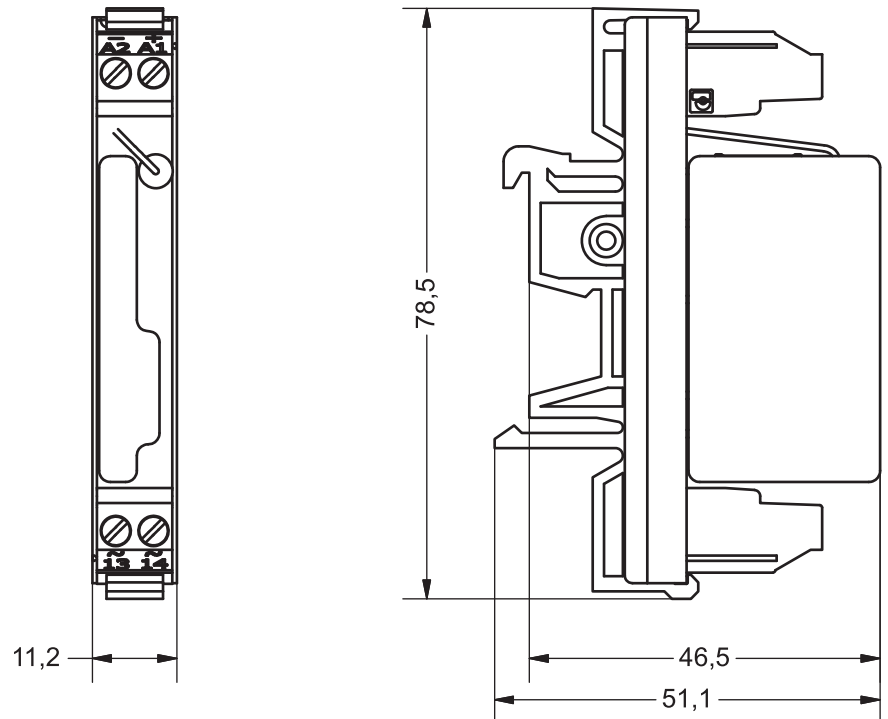


SYSTEMATIC TECHNOLOGY

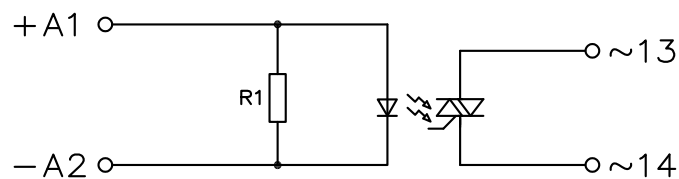
Technical data sheet • Interface Technology

Field installation	rail TS 35 (EN 50022)
Insulation voltage input/output	4.0 kV _{eff}
Clearance/creep. dist. (control/load side)	>9.8 mm
Safe isolation	Yes
Operation temperature range	-25 °C – 60 °C
Storage temperature range	-40 °C – 80 °C
Dimensions (w × h × d)	11.2 × 78.5 × 50.1 mm
Weight (kg/piece)	0.060
Termination	Screw terminal: 0.25–2.5 mm ²

Dimensions



PIN assignment



03.09.2015 – Subject to technical modification

Part-No. 716051

USA: LUTZE INC.

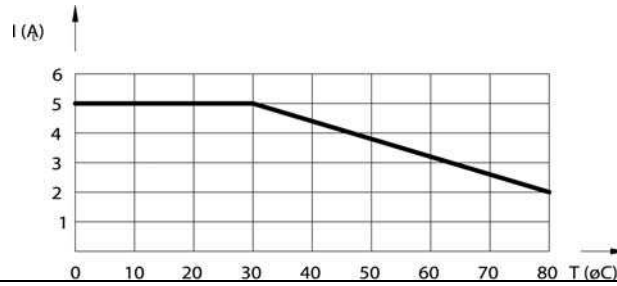
13330 South Ridge Drive • Charlotte, NC 28273, USA
 Tel. +1 (704) 504-0222 • Fax +1 (704) 504-0223
 www.lutze.com • info@lutze.com

United Kingdom: LÜTZE Ltd.

Unit 3, Sandy Hill Park
 Sandy Way, Amington • GB-Tamworth, Staffs B77 4DU
 Tel. +44 (0)1827 31333-0 • Fax +44 (0)1827 31333-2
 www.lutze.com • sales.gb@lutze.co.uk

Technical data sheet · Interface Technology

Derating



Accessories

Accessories	Color	Article number	Type	PU
Jumper comb 24pole, 26A	blue	760801	BK 6-0801	5

03.09.2015 – Subject to technical modification

Part-No. 716051

USA: LUTZE INC.

13330 South Ridge Drive · Charlotte, NC 28273, USA
Tel. +1 (704) 504-0222 · Fax +1 (704) 504-0223
www.lutze.com · info@lutze.com

United Kingdom: LÜTZE Ltd.

Unit 3, Sandy Hill Park
Sandy Way, Amington · GB-Tamworth, Staffs B77 4DU
Tel. +44 (0)1827 31333-0 · Fax +44 (0)1827 31333-2
www.lutze.com · sales.gb@lutze.co.uk