



Identification	Type	OT-6080 DC 24 V
	Part-No.	716080
Input		
Input voltage range	4.0 V – 32.0 V	
Rated current	10.0 mA	
Interrupting voltage	2 V	
Status Indication	LED green	
Load Side		
Min. switching voltage	AC 48 V	
Max. switching voltage	AC 660 V	
Min. switching current	AC 100 mA	
Max. switching current	AC 25 A (Derating)	
Inrush current	AC 250 A (10 ms)	
Leakage current	<1 mA	
Switch-on delay	10 ms	
Switch-off delay	10 ms	
Switching frequency	<10 Hz	
Protection device output	Varistor	
General		
Housing material	Plastic, flame resistant according to UL-94-V0	

20.04.2013 – Subject to technical modification

Part-No. 716080

USA: LUTZE INC.

13330 South Ridge Drive • Charlotte, NC 28273, USA
 Tel. +1 (704) 504-0222 • Fax +1 (704) 504-0223
 www.lutze.com • info@lutze.com

United Kingdom: LÜTZE Ltd.

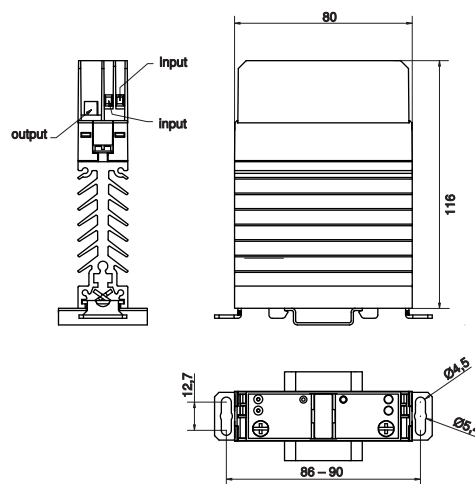
Unit 3, Sandy Hill Park
 Sandy Way, Amington • GB-Tamworth, Staffs B77 4DU
 Tel. +44 (0)1827 31333-0 • Fax +44 (0)1827 31333-2
 www.lutze.com • sales.gb@lutze.co.uk



Technical data sheet - Interface Technology

Protection class	IP 20
Field installation	rail TS 35 (EN 50022)
Insulation voltage input/output	4.0 kV _{eff}
Safe isolation	yes
Min. working temperature	-25 °C
Max. working temperature	70 °C
Min. storage temperature	-40 °C
Max. storage temperature	80 °C
Width	22.5
Height	116.0
Depth	80.0
Weight (kg/piece)	0.260
Approvals	UL submitted
Termination	Screw terminal: 0.25–4.0 mm ²

Dimensions



20.04.2013 – Subject to technical modification

Part-No. 716080

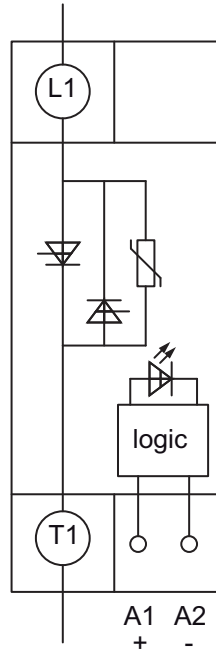
USA: LUTZE INC.

13330 South Ridge Drive • Charlotte, NC 28273, USA
Tel. +1 (704) 504-0222 • Fax +1 (704) 504-0223
www.lutze.com • info@lutze.com

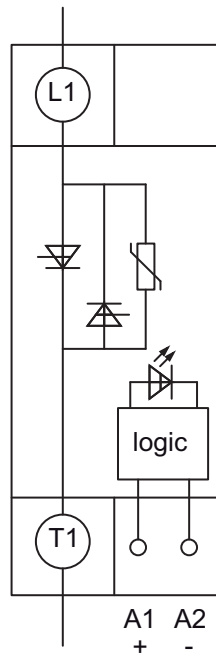
United Kingdom: LÜTZE Ltd.

Unit 3, Sandy Hill Park
Sandy Way, Amington • GB-Tamworth, Staffs B77 4DU
Tel. +44 (0)1827 31333-0 • Fax +44 (0)1827 31333-2
www.lutze.com • sales.gb@lutze.co.uk

PIN assignment



PIN assignment



20.04.2013 – Subject to technical modification

Part-No. 716080

USA: LUTZE INC.

13330 South Ridge Drive • Charlotte, NC 28273, USA

Tel. +1 (704) 504-0222 • Fax +1 (704) 504-0223

www.lutze.com • info@lutze.com

United Kingdom: LÜTZE Ltd.

Unit 3, Sandy Hill Park

Sandy Way, Amington • GB-Tamworth, Staffs B77 4DU

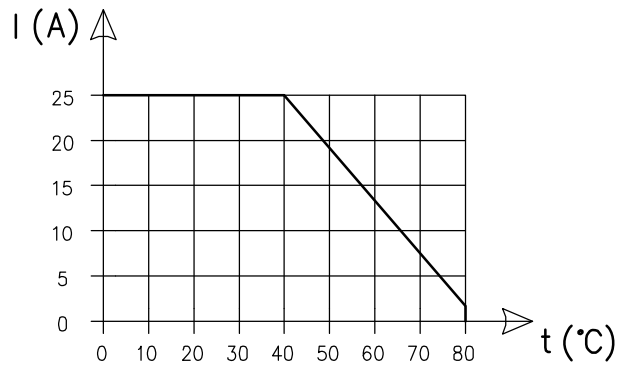
Tel. +44 (0)1827 31333-0 • Fax +44 (0)1827 31333-2

www.lutze.com • sales.gb@lutze.co.uk



SYSTEMATIC TECHNOLOGY

Derating



Description

Electronic interface component for the output coupler component for the switching of AC loads. The activation occurs via 24 V DC. A thyristor output (zero voltage switch) max. 570 V / 25 A is available on the load side.

20.04.2013 – Subject to technical modification

Part-No. 716080

USA: LUTZE INC.

13330 South Ridge Drive • Charlotte, NC 28273, USA

Tel. +1 (704) 504-0222 • Fax +1 (704) 504-0223

www.lutze.com • info@lutze.com

United Kingdom: LÜTZE Ltd.

Unit 3, Sandy Hill Park

Sandy Way, Amington • GB-Tamworth, Staffs B77 4DU

Tel. +44 (0)1827 31333-0 • Fax +44 (0)1827 31333-2

www.lutze.com • sales.gb@lutze.co.uk



SYSTEMATIC TECHNOLOGY