



<b>Identification</b>	Type	OTE-6180 DC 24 V
	Part-No.	716180
<b>Input</b>		
Input voltage range	15.0 V – 32.0 V	
Rated current	12.0 mA	
Interrupting voltage	1 V	
Rated frequency	50–60 Hz	
<b>Load Side</b>		
Min. switching voltage	AC 12 V	
Max. switching voltage	AC 280 V	
Min. switching current	AC 100 mA	
Max. switching current	AC 5 A (Derating)	
Inrush current	AC 250 A ( 10 ms)	
Leakage current	<0.1 mA	
Switch-on delay	10 ms	
Switch-off delay	10 ms	
Switching frequency	<20 Hz	
Clearance/creep. dist. (control/load side)	>9.8 mm	
<b>General</b>		
Housing material	PPE	

20.04.2013 – Subject to technical modification

Part-No. 716180

USA: LUTZE INC.

13330 South Ridge Drive • Charlotte, NC 28273, USA  
 Tel. +1 (704) 504-0222 • Fax +1 (704) 504-0223  
 www.lutze.com • info@lutze.com

United Kingdom: LÜTZE Ltd.

Unit 3, Sandy Hill Park  
 Sandy Way, Amington • GB-Tamworth, Staffs B77 4DU  
 Tel. +44 (0)1827 31333-0 • Fax +44 (0)1827 31333-2  
 www.lutze.com • sales.gb@lutze.co.uk

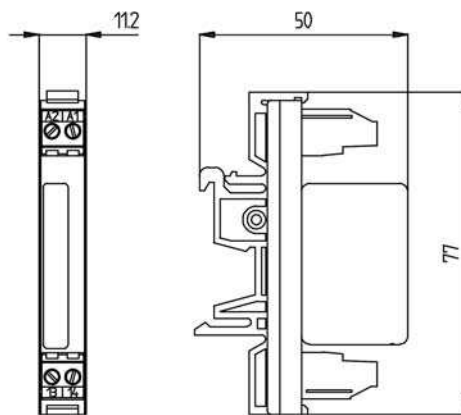


SYSTEMATIC TECHNOLOGY

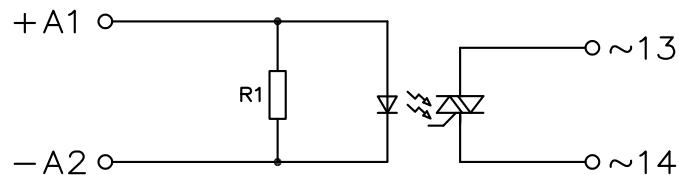
## Technical data sheet - Interface Technology

Protection class	IP 20
Field installation	rail TS 35 (EN 50022)
Insulation voltage input/output	4.0 kV <sub>eff</sub>
Safe isolation	Yes
Min. working temperature	-25 °C
Max. working temperature	60 °C
Min. storage temperature	-40 °C
Max. storage temperature	80 °C
Width	11.2
Height	77.0
Depth	50.0
Weight (kg/piece)	0.060
Termination	Screw terminal: 0.25–2.5 mm <sup>2</sup>

### Dimensions



### PIN assignment



20.04.2013 – Subject to technical modification

Part-No. 716180

USA: LUTZE INC.

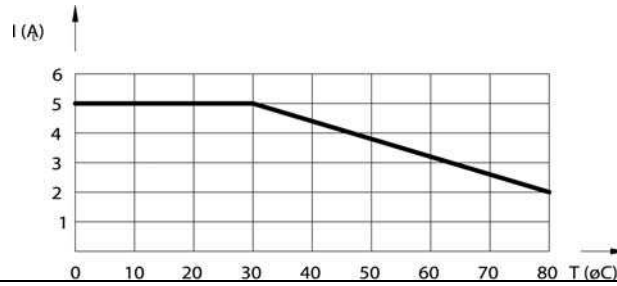
13330 South Ridge Drive • Charlotte, NC 28273, USA  
Tel. +1 (704) 504-0222 • Fax +1 (704) 504-0223  
www.lutze.com • info@lutze.com

United Kingdom: LÜTZE Ltd.

Unit 3, Sandy Hill Park  
Sandy Way, Amington • GB-Tamworth, Staffs B77 4DU  
Tel. +44 (0)1827 31333-0 • Fax +44 (0)1827 31333-2  
www.lutze.com • sales.gb@lutze.co.uk

# Technical data sheet - Interface Technology

## Derating



## Accessories

Accessories	Colour	Article number	Type	PU
Jumper comb 24pole, 26A	blue	760801	BK 6-0801	5

20.04.2013 – Subject to technical modification

Part-No. 716180

USA: LUTZE INC.

13330 South Ridge Drive • Charlotte, NC 28273, USA  
Tel. +1 (704) 504-0222 • Fax +1 (704) 504-0223  
www.lutze.com • info@lutze.com

United Kingdom: LÜTZE Ltd.

Unit 3, Sandy Hill Park  
Sandy Way, Amington • GB-Tamworth, Staffs B77 4DU  
Tel. +44 (0)1827 31333-0 • Fax +44 (0)1827 31333-2  
www.lutze.com • sales.gb@lutze.co.uk