



<b>Identification</b>	Type	LOCC-Box-EKL 7-6421
	Part-No.	716421
<b>Description</b>		
	LOCC-Box supply terminal Additional supply terminal for increased current maximum total current 40 A	
<b>General</b>		
Housing material	PA 6.6 (UL 94 V-0, NFF I2, F2)	
Mounting	DIN rail mountable TS35 (EN 60715)	
Protection class	IP20	
Installation position	any	
Operation temperature range	-25 °C ... +60 °C	
Storage temperature range	-40 °C ... +85 °C	
Weight	0.0350 kg/piece	
Dimensions (w × h × d)	10.0 × 119.4 × 63.7 mm	
PU	2	
Approvals	cULus (E135145)	

25.08.2017 – Subject to technical modification

Part-No. 716421

USA: LUTZE INC.

13330 South Ridge Drive • Charlotte, NC 28273, USA  
Tel. +1 (704) 504-0222 • Fax +1 (704) 504-0223  
www.lutze.com • info@lutze.com

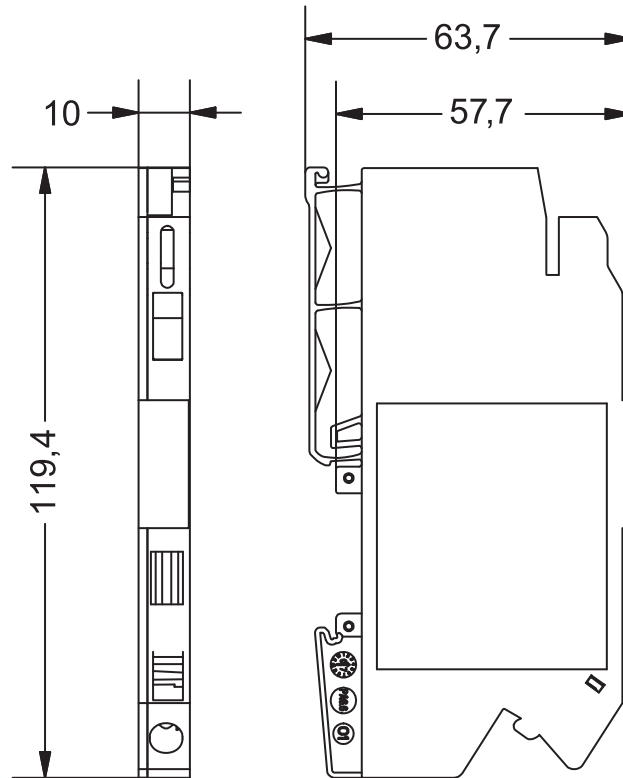
United Kingdom: LÜTZE Ltd.

Unit 3, Sandy Hill Park  
Sandy Way, Amington • GB-Tamworth, Staffs B77 4DU  
Tel. +44 (0)1827 31333-0 • Fax +44 (0)1827 31333-2  
www.lutze.com • sales.gb@lutze.co.uk



SYSTEMATIC TECHNOLOGY

**Dimensions**



25.08.2017 – Subject to technical modification

Part-No. 716421

USA: LUTZE INC.

13330 South Ridge Drive • Charlotte, NC 28273, USA  
Tel. +1 (704) 504-0222 • Fax +1 (704) 504-0223  
www.lutze.com • info@lutze.com

United Kingdom: LÜTZE Ltd.

Unit 3, Sandy Hill Park  
Sandy Way, Amington • GB-Tamworth, Staffs B77 4DU  
Tel. +44 (0)1827 31333-0 • Fax +44 (0)1827 31333-2  
www.lutze.com • sales.gb@lutze.co.uk



SYSTEMATIC TECHNOLOGY