



Identification	Type	LOCC Box ES 7-6425
	Part-No.	716425
Description	LOCC-Box supply set consisting of supply terminal and end block maximum total current 40 A	
General		
Housing material	PA 6.6 (UL 94 V-0, NFF I2, F2)	
Mounting	DIN rail mountable TS35	
Protection class	IP20	
Installation position	any	
Operation temperature range	-25 °C ... +60 °C	
Storage temperature range	-40 °C ... +85 °C	
Weight	0.0350 kg/piece	
Dimensions (w × h × d)	10.0 × 119.4 × 63.7 mm	
PU	1	
Approvals	cULus (E135145)	

25.08.2017 – Subject to technical modification

Part-No. 716425

USA: LUTZE INC.

13330 South Ridge Drive • Charlotte, NC 28273, USA
Tel. +1 (704) 504-0222 • Fax +1 (704) 504-0223
www.lutze.com • info@lutze.com

United Kingdom: LÜTZE Ltd.

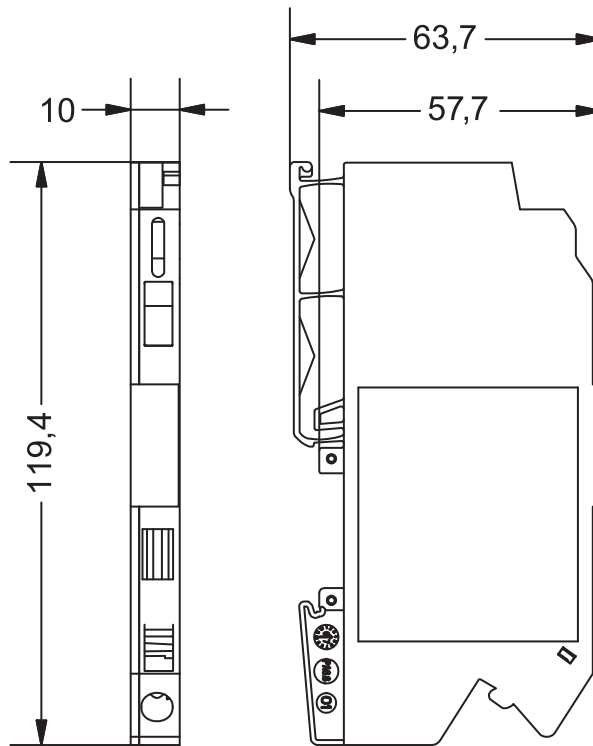
Unit 3, Sandy Hill Park
Sandy Way, Amington • GB-Tamworth, Staffs B77 4DU
Tel. +44 (0)1827 31333-0 • Fax +44 (0)1827 31333-2
www.lutze.com • sales.gb@lutze.co.uk



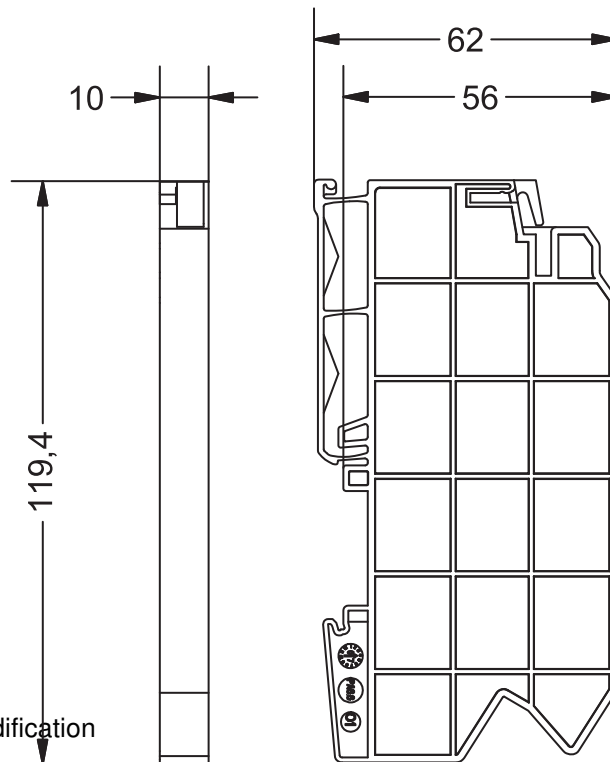
SYSTEMATIC TECHNOLOGY

Dimensions

Supply terminal



End block



25.08.2017 – Subject to technical modification

Part-No. 716425

USA: LUTZE INC.

13330 South Ridge Drive • Charlotte, NC 28273, USA

Tel. +1 (704) 504-0222 • Fax +1 (704) 504-0223

www.lutze.com • info@lutze.com

United Kingdom: LÜTZE Ltd.

Unit 3, Sandy Hill Park

Sandy Way, Amington • GB-Tamworth, Staffs B77 4DU

Tel. +44 (0)1827 31333-0 • Fax +44 (0)1827 31333-2

www.lutze.com • sales.gb@lutze.co.uk